



## Centra Linear Valve XF...B

3-way Flanged Linear Valve PN16

### APPLICATION

These three-port mixing valves are used for modulating control of hot/chilled water or steam in heating, ventilation, and air conditioning systems.

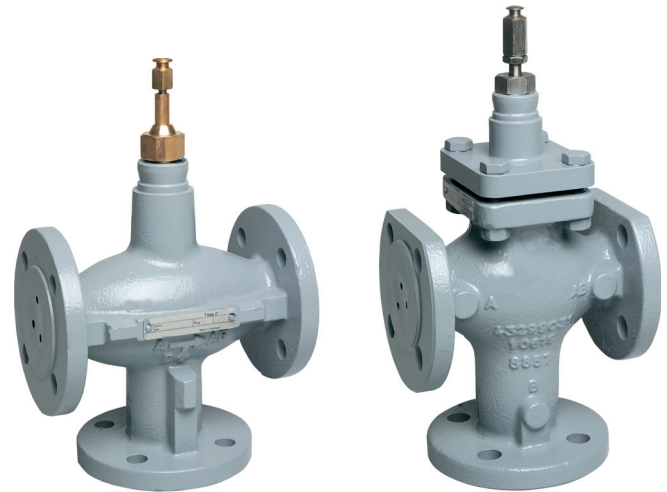
The valves can be operated by linear actuators series ML64... and ML74...

### SPECIAL FEATURES

- Cast iron body with flanged end connections
- Low seat leakage rate
- Metal-to-metal seating for long life span
- Self-adjusting packing
- Accurate positioning to ensure state-of-the-art temperature control
- Easy mounting of direct-coupled electric actuators
- Constant total flow throughout full valve stroke

### TECHNICAL DATA

Media	
Medium:	Water or glycol-water mixture, according to VDI 2035
Operating temperatures and operating pressure	
DN15 - DN80:	2...120 °C: max. 1600 kPa 120...150 °C: max. 1440 kPa 150...170 °C: max. 1370 kPa
DN100 - DN150:	2...120 °C: max. 1600 kPa 120...150 °C: max. 1440 kPa 150...200 °C: max. 1280 kPa 200...220 °C: max. 1200 kPa
Maximum temperature differential in alternating hot/cold water use:	60 K
Connection/Sizes	
Connection:	Flanged per ISO 7005-2
Specifications	
Action:	Stem up to close port A-AB
Nominal pressure rating:	PN16
Flow characteristic:	
DN15 - DN80:	port A-AB Equal percentage port B-AB Linear
DN100 - DN150:	port A-AB Linear port B-AB Linear
Rangeability:	50:1



DN15 - DN80

DN100 - DN150

Specifications	
Leakage rate:	
DN15 - DN80:	0.5 % of $k_{VS}$ port A-AB 1 % of $k_{VS}$ port B-AB
DN100 - DN150:	0.1 % of $k_{VS}$ port A-AB 0.1 % of $k_{VS}$ port B-AB
Stroke:	
DN15 - DN80:	20 mm
DN100 - DN150:	38 mm
Packaging:	Spring-loaded PTFE V-rings and cone rings

## CONSTRUCTION

Overview	Components	Materials
	<b>1</b> Stem	Stainless steel
	<b>2</b> Valve body	Cast iron (GG25), Flanged per ISO 7005-2
	<b>Not depicted components:</b>	
	Seat	Stainless steel, replaceable Body integrated
	Plug	Stainless steel, skirt-guided

## INSTALLATION GUIDELINES

### Setup requirements

- Do not install valve with stem below the horizontal
- Fluid flow must correspond with the arrow direction on the valve body
- The installation of a strainer is strongly recommended

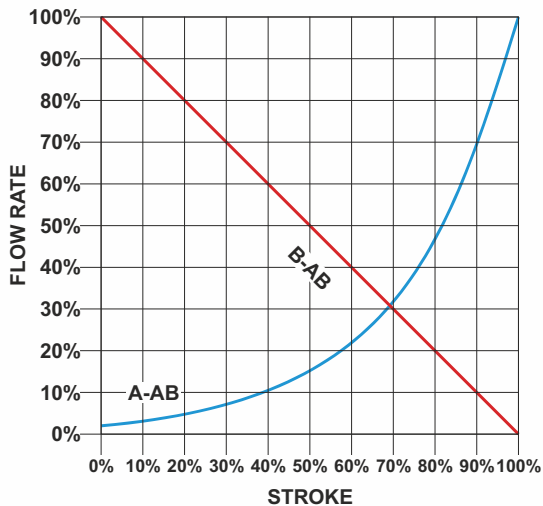
## TECHNICAL CHARACTERISTICS

### Close off pressure ratings in kPa

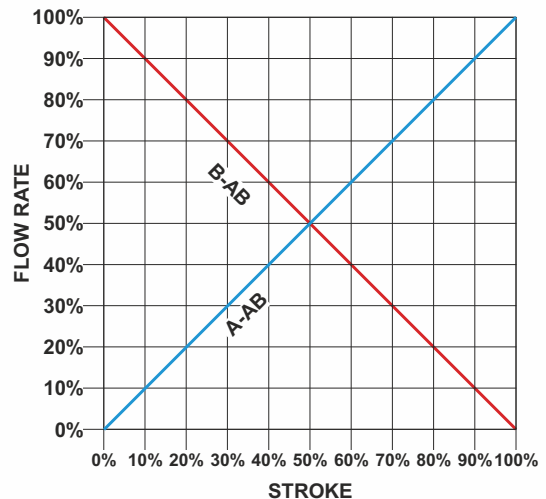
Actuator		Valve Size											
Model	Force	DN15	DN20	DN25	DN32	DN40	DN50	DN65	DN80	DN100	DN125	DN150	
ML6420A	600 N	1000	1000	1000	790	480	260	160	100	-	-	-	
ML6425A/B		kPa	kPa	kPa	kPa	kPa	kPa*	kPa*	kPa*				
ML7420A													
ML7425A/B													
ML6421A	1800 N	-	-	-	1000	1000	1000	650	400	-	-	-	
ML7421A					kPa	kPa	kPa	kPa	kPa				
ML6421B	1800 N	-	-	-	-	-	-	-	-	230	90	90	
ML7421B										kPa	kPa	kPa	

\* Preferred solution are the ML6421/ML7421 actuators

### Characteristic curves

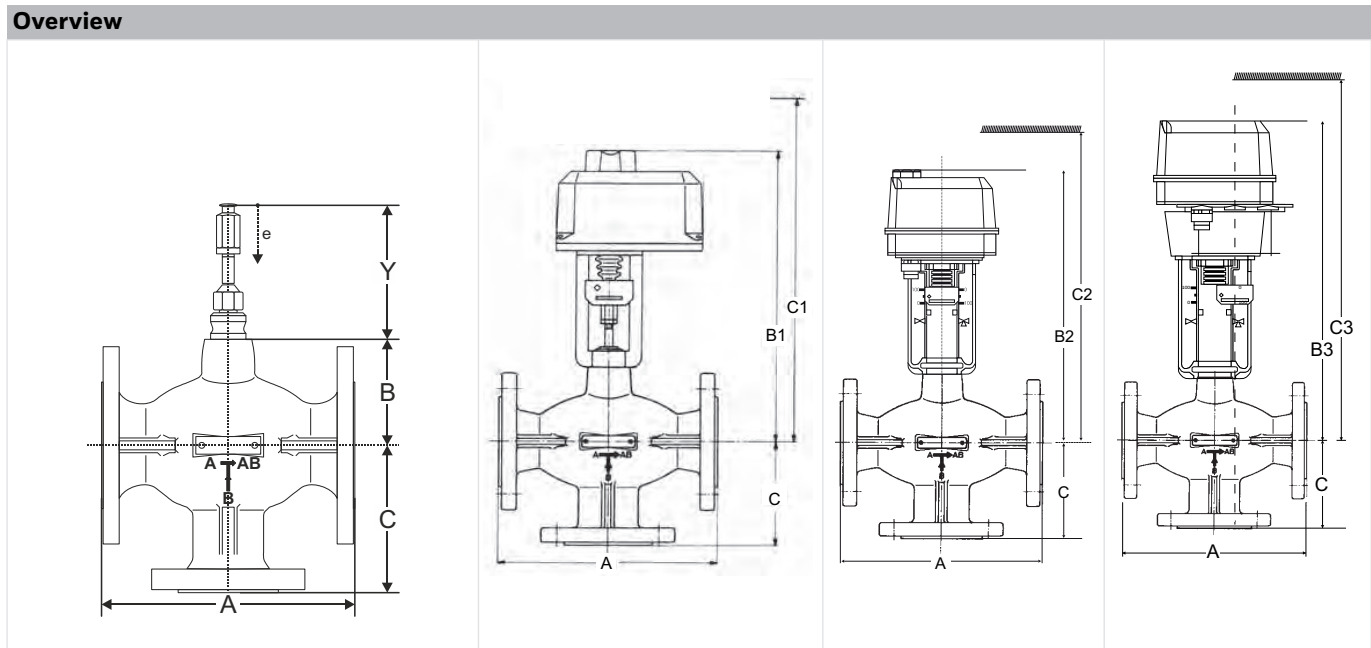


DN15 - DN80



DN100 - DN150

## DIMENSIONS



DN	A	B	C	Adjustment dimension (A-AB in closed position)		ML6421A ML7421A		ML6420 ML7420		ML6425 ML7425	
				Y	e	B1	C1	B2	C2	B3	C3
15	130	63	90	107	20	330	425	305	385	350	430
20	150	63	95			330	425	305	385	350	430
25	160	80	100			345	440	325	405	365	445
32	180	80	105			345	440	325	405	365	445
40	200	80	115			345	440	325	405	365	445
50	230	94	125			360	455	340	420	380	460
65	290	105	145			370	465	350	430	390	470
80	310	112	155			380	475	355	435	400	480
						<b>ML6421B ML7421B</b>					
100	350	184	220	170.5	38	510	615	-	-	-	-
125	400	219	245			545	650	-	-	-	-
150	480	219	270			545	650	-	-	-	-

Note: All dimensions in mm unless stated otherwise.

## ORDERING INFORMATION

### Naming key linear valves

<b>X</b>	<b>F</b>	<b>100</b>	<b>B</b>	<b>160</b>	<b>RA</b>
Type of valve	Type of thread	DN	PN	K <sub>VS</sub> -value	Special
X = 3-way valve	F = Flanged	15	B = 16	2.5	RA = Diverting
		20		4.0	
		25		6.3	
		32		10	
		40		16	
		50		25	
		65		40	
		80		63	
		100		100	
		125		160	
		150		250	
				360	

### 3-Way Linear Valve - Flanged

<b>DN</b>	<b>k<sub>VS</sub>-value</b>	<b>Connection</b>	<b>Nominal pressure</b>	<b>Description</b>	<b>OS.-No.</b>
15	2.5	flanged	PN16	3-way valve, flanged, DN15, PN16, k <sub>VS</sub> 2.5	XF15B2.5
15	4	flanged	PN16	3-way valve, flanged, DN15, PN16, k <sub>VS</sub> 4	XF15B4.0
20	6.3	flanged	PN16	3-way valve, flanged, DN20, PN16, k <sub>VS</sub> 6.3	XF20B6.3
25	10	flanged	PN16	3-way valve, flanged, DN25, PN16, k <sub>VS</sub> 10	XF25B10
32	16	flanged	PN16	3-way valve, flanged, DN32, PN16, k <sub>VS</sub> 16	XF32B16
40	25	flanged	PN16	3-way valve, flanged, DN40, PN16, k <sub>VS</sub> 25	XF40B25
50	40	flanged	PN16	3-way valve, flanged, DN50, PN16, k <sub>VS</sub> 40	XF50B40
65	63	flanged	PN16	3-way valve, flanged, DN65, PN16, k <sub>VS</sub> 63	XF65B63
80	100	flanged	PN16	3-way valve, flanged, DN80, PN16, k <sub>VS</sub> 100	XF80B100
100	160	flanged	PN16	3-way valve, flanged, DN100, PN16, k <sub>VS</sub> 160	XF100B160
100	160	flanged	PN16	3-way valve, flanged, DN100, PN16, k <sub>VS</sub> 160	XF100B160RA
125	250	flanged	PN16	3-way valve, flanged, DN125, PN16, k <sub>VS</sub> 250	XF125B250
125	250	flanged	PN16	3-way valve, flanged, DN125, PN16, k <sub>VS</sub> 250	XF125B250RA
150	360	flanged	PN16	3-way valve, flanged, DN150, PN16, k <sub>VS</sub> 360	XF150B360
150	360	flanged	PN16	3-way valve, flanged, DN150, PN16, k <sub>VS</sub> 360	XF150B360RA

## Accessories

## Overview associated actuators

Valve stroke	Control signal	
	3-point (230 V AC or 24 V AC power supply)	0...10 V (24 V AC power supply)
20 mm	ML6420A ML6421A ML6425A/B	ML7420A ML7421A ML7425A/B
38 mm	ML6421B	ML7421B

	Description	Voltage	Runtime	Part No.
	<b>ML6420A</b> <b>Actuator: 3-point / floating</b>			
	20 mm effective stroke, 600N	230 V AC	60 s	ML6420A3015
			30 s	ML6420A3031
		24 V AC	60 s	ML6420A3007
			30 s	ML6420A3023
	<b>ML7420A</b> <b>Actuator: modulating 0/2 ... 10 V</b>			
	20 mm effective stroke, 600N	24 V AC	60 s	ML7420A6009
			30 s	ML7420A6017
	<b>ML6421</b> <b>Actuator: 3-point / floating</b>			
	20 mm effective stroke, 1800N	230 V AC	114 s	ML6421A3013
		24 V AC		ML6421A3005
	38 mm effective stroke, 1800N	230 V AC	210 s	ML6421B3012
		24 V AC		ML6421B3004
	<b>ML7421</b> <b>Actuator: modulating 0/2 ... 10 V</b>			
	20 mm effective stroke, 1800N	24 V AC	114 s	ML7421A3004
	38 mm effective stroke, 1800N		210 s	ML7421B3003
	<b>ML6425</b> <b>Actuator: 3-point / floating (spring return)</b>			
	20 mm effective stroke, 600N, spring return extends	230 V AC	108 s	ML6425A3014
		24 V AC		ML6425A3006
	20 mm effective stroke, 600N, spring return retract	230 V AC		ML6425B3021
		24 V AC		ML6425B3005
	<b>ML7425</b> <b>Actuator: modulating 0/2 ... 10 V (spring return)</b>			
	20 mm effective stroke, 600N, spring return extends	24 V AC	108 s	ML7425A6008
	20 mm effective stroke, 600N, spring return retract			ML7425B6007

**Spare Parts**

**Naming key spare parts**

ASV	-PA	-3	-25
Accessories and spares for valves	Range	Type	k <sub>VS</sub> -value
ASV = Accessories and spares for valves	PAC = Packing, complete PN = Packing nut SBA = Stem button assy PA = Plug assembly	1 2 3 6	25 40 63 100 160 250 360

Overview	Description	Dimension	Part No.
	<b>1 Stem button assy</b>		
		DN15 - DN32	ASV-SBA-1
		DN40 - DN80	ASV-SBA-2
		DN100 - DN150	ASV-SBA-3
	<b>2 Packing nut</b>		
		DN15 - DN32	ASV-PN-1
		DN40 - DN80	ASV-PN-2
		DN100 - DN150	ASV-PN-6
	<b>3 Packing</b>		
		DN15 - DN32	ASV-PAC-1
		DN40 - DN80	ASV-PAC-2
		DN100 - DN150	ASV-PAC-6
	<b>4 Pin stop plug</b>		
	<b>5 Plug assembly</b>		
		DN40, k <sub>VS</sub> 25	ASV-PA-3-25
		DN50, k <sub>VS</sub> 40	ASV-PA-3-40
		DN65, k <sub>VS</sub> 63	ASV-PA-3-63
		DN80, k <sub>VS</sub> 100	ASV-PA-3-100
		DN100, k <sub>VS</sub> 160	ASV-PA-2-160
		DN125, k <sub>VS</sub> 250	ASV-PA-2-250
	DN150, k <sub>VS</sub> 360	ASV-PA-2-360	



Manufactured for and on behalf of  
Pittway Sàrl, Z.A., La Pièce 4  
1180 Rolle, Switzerland

For more information  
[homecomfort.resideo.com/europe](http://homecomfort.resideo.com/europe)  
Ademco 1 GmbH, Hardhofweg 40,  
74821 MOSBACH, GERMANY  
Phone: +49 6261 810  
Fax: +49 6261 81309

This document contains proprietary information of Pittway Sàrl and its affiliated companies and is protected by copyright and other international laws. Reproduction or improper use without specific written authorization of Pittway Sàrl is strictly forbidden.