

Features

This series of Pressure transmitters has been developed from the piezoresistive technology to cover most industrial applications.

The application of this technology in pressure transmitters is related to the deformation of the ceramic sensor in which are recorded four electrical resistors to form a Wheatstone bridge.

Therefore any deformation that occurs in the diaphragm effect due to an unbalanced pressure in the high precision electric circuit will form a normalized signal (4-20 mA) proportional to the pressure that supports the ceramic sensor.



Specifications

	Minimal	Normal	Maximum
Global error (linearity, hysteresis and repeatability) %FS	0,2	0,3	0,4
Sensitivity mV/V FS	2,0	-	3,2
Resolution %FS	0,06	-	0,1
Working temperature °C	-25		+125
Response time	Less than 1,0 ms		
Isolation voltage between the cell and any terminal	>2 KV		
Normalized output signal	4-20 mA (dc)		
Transmitter power supply	8..35 Vdc		
Output signal	Linear		
Protection	IP-65 XA, AN y FR Model IP-68 AL, MA y XI Model		
Electrical connection	Pin connection DIN 43650 ISO 4400-6952 IP-65, PG-7 cable gland or watertight cable (with submersible models).		
Temperature	Process: -10..+90°C Environment: -5..+80°C		
Process connection	1 / 4+, 1 / 2+		
Materials in contact with the fluid	Stainless Steel, Polypropylene, PVC (depending on the model), ceramic. O-ring: acrylonitrile butadiene (optional: Viton, PTFE, ethylene propylene).		

This publication is not intended to lay the foundations of a contract and the company reserves the right to alter without notice the design and specifications of instruments, in accordance with its policy of continuous development

MEI Manometría e Instrumentación, s.l.

Pol. Ind. Í Gelidenseí 3, nave 19 E-08790 Gelida Barcelona

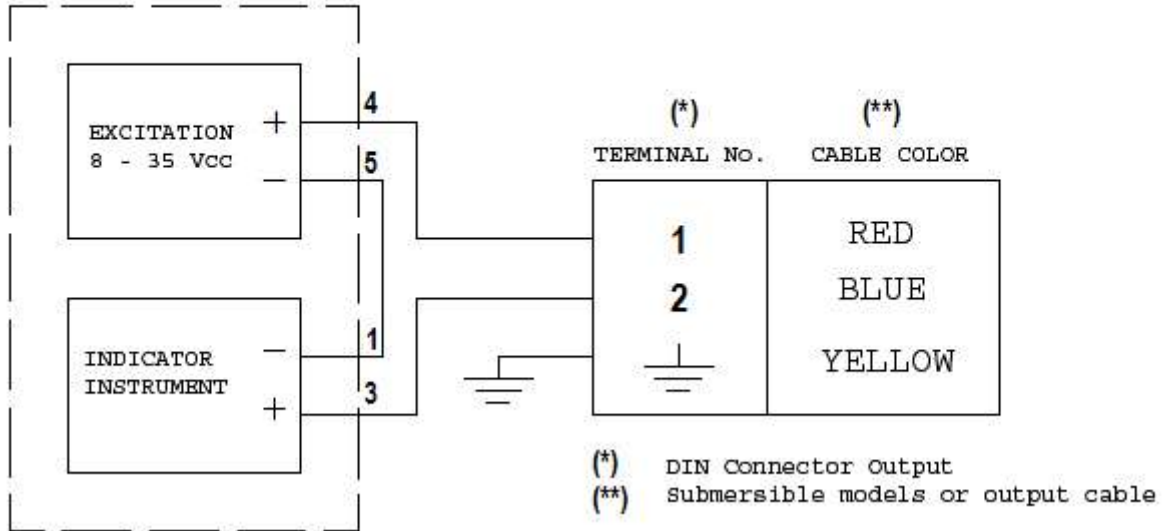
Tf. +34 937 083 110 Fax. +34 937 083 109 www.mei.es e-mail: info@mei.es



RANGES (bar)

Working Range	1	1,6	2,5	4	6	10	16	25	40	60	100	160	250	400	600
Maximum allowable Pressure	1,2	2	3,1	5	7,2	12	20	30	48	72	120	200	300	450	700
Burst pressure	7	7	12	12	25	25	50	50	120	250	250	500	500	800	800

INSTRUMENT WITH INTEGRATED EXCITATION



This publication is not intended to lay the foundations of a contract and the company reserves the right to alter without notice the design and specifications of instruments, in accordance with its policy of continuous development

MEI Manometría e Instrumentación, s.l.

Pol. Ind. Í Gelidensé 3, nave 19 E-08790 Gelida Barcelona

Tf. +34 937 083 110 Fax. +34 937 083 109 www.mei.es e-mail: info@mei.es