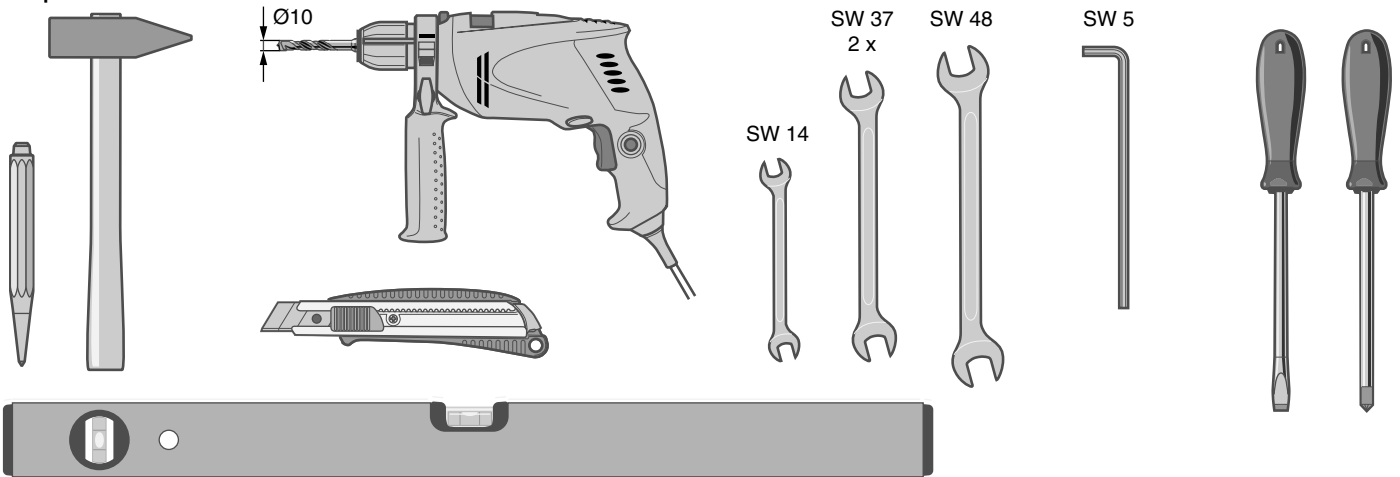
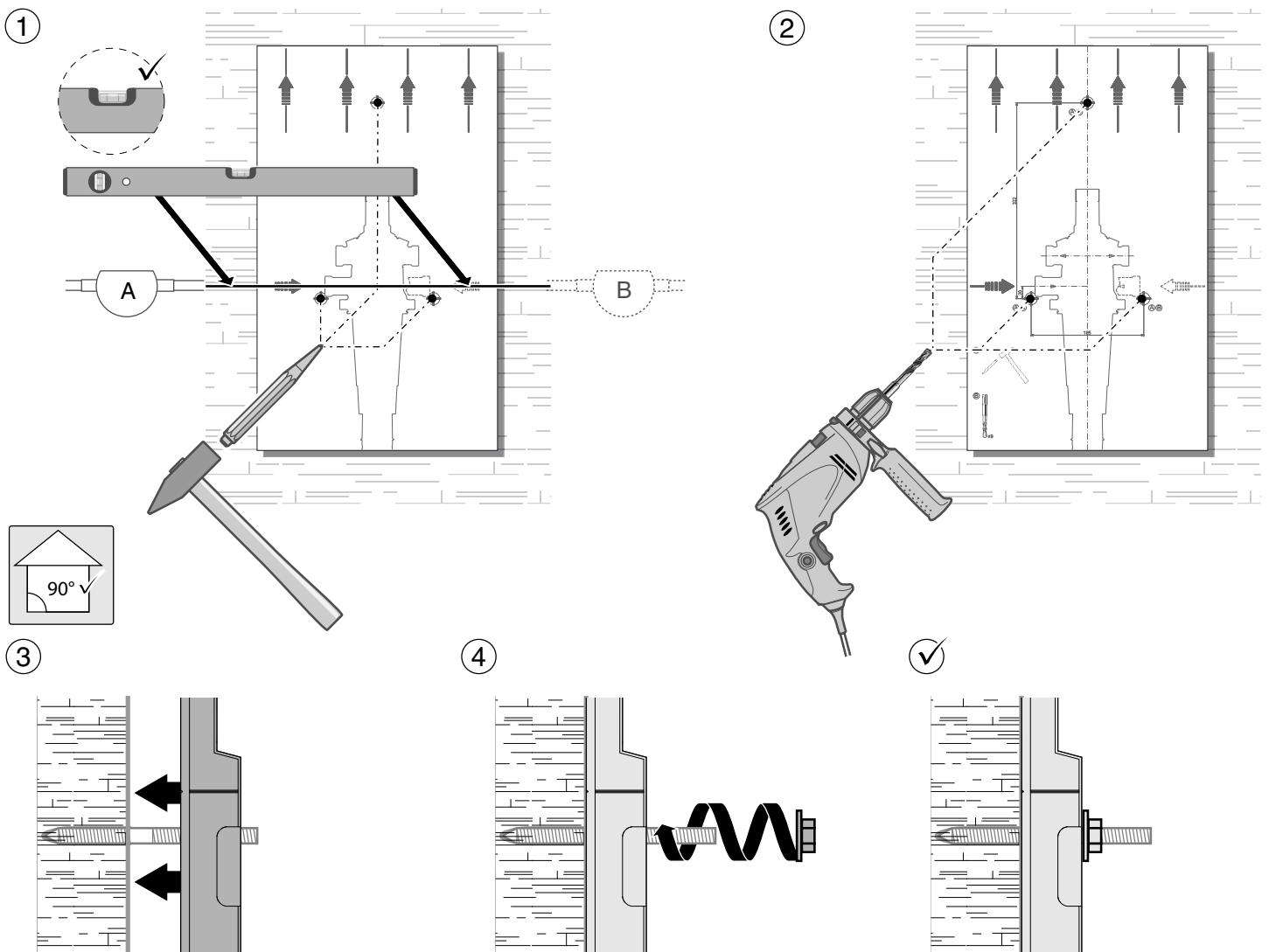
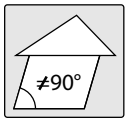


Benötigte Werkzeuge Required tools

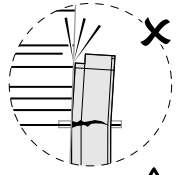
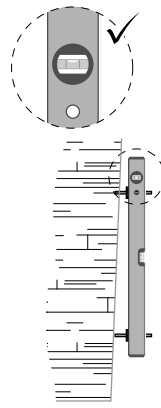
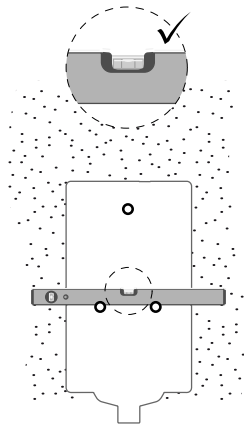
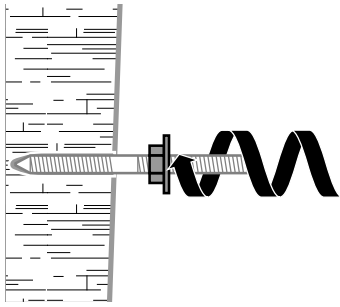


Wandmontage Wall mounting

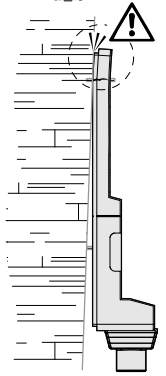
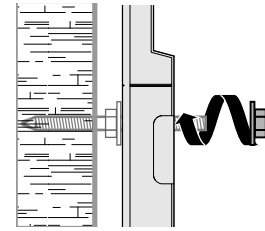




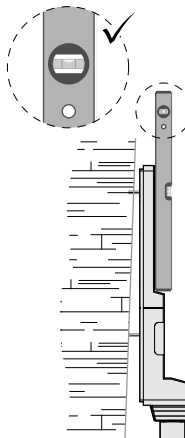
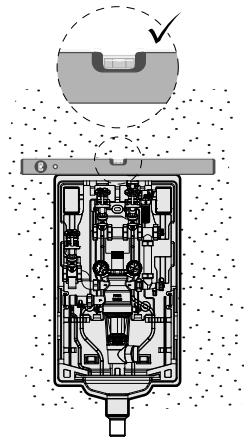
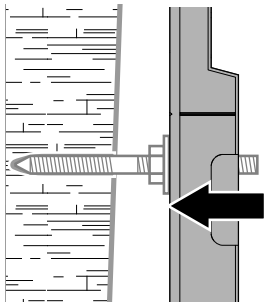
3 a



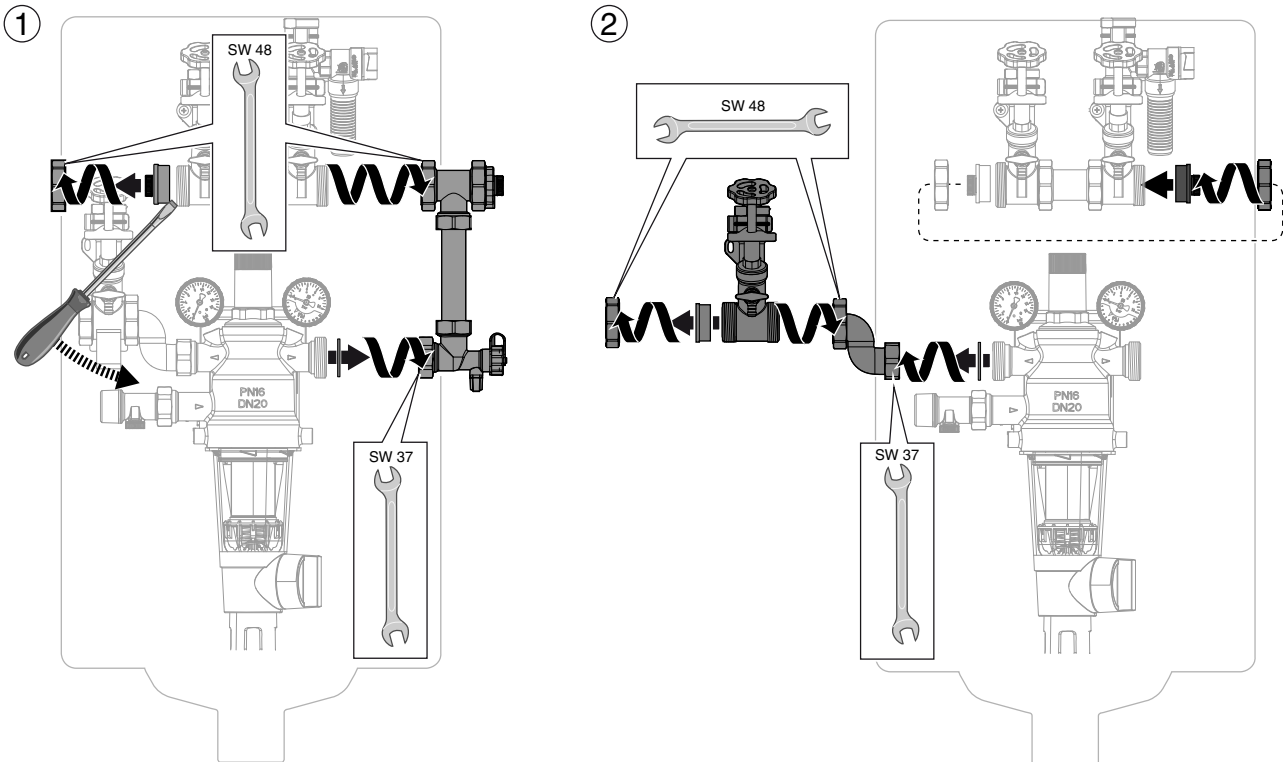
4

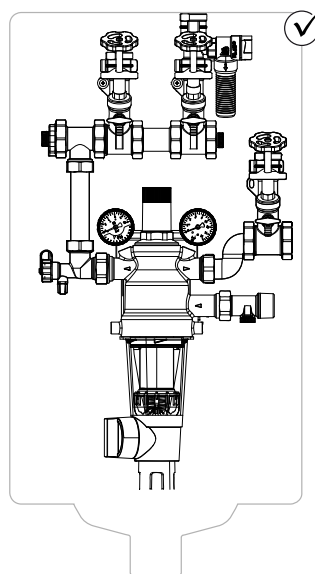
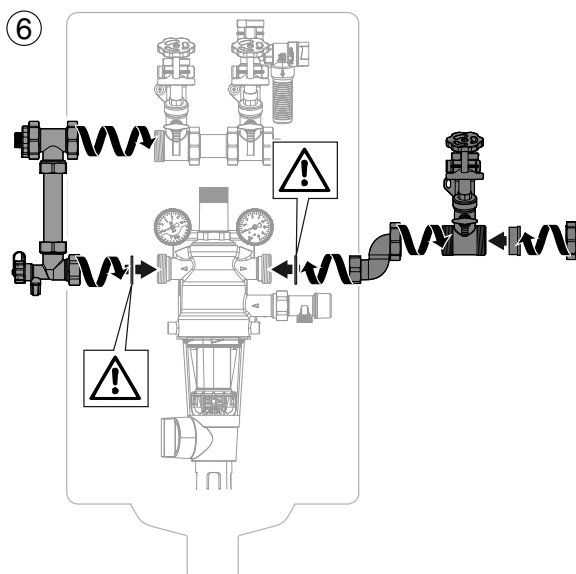
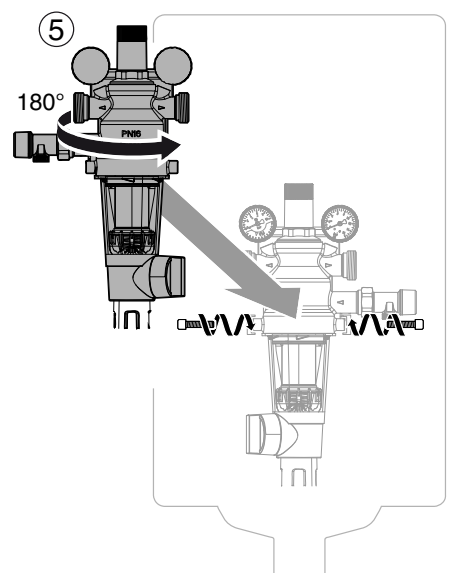
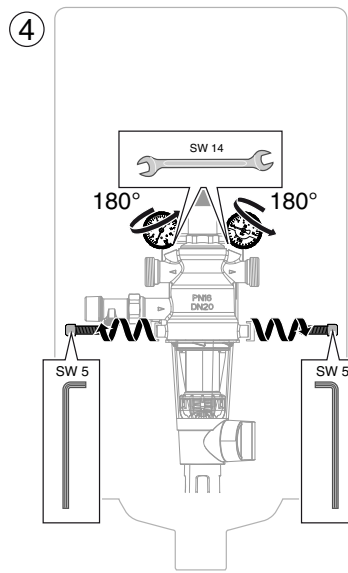
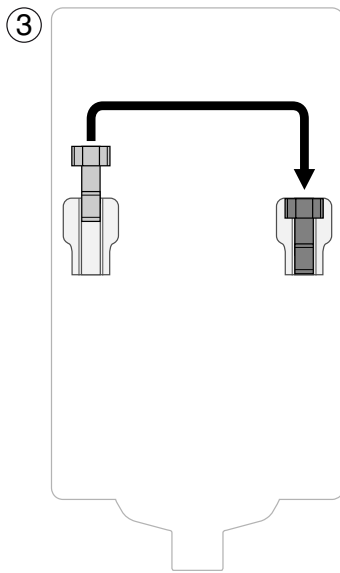


3 b

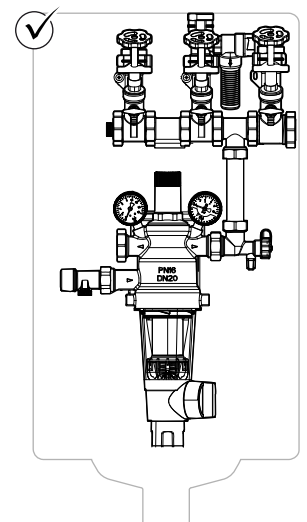
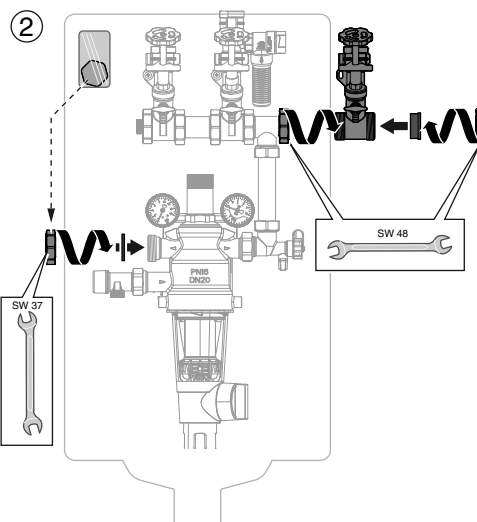
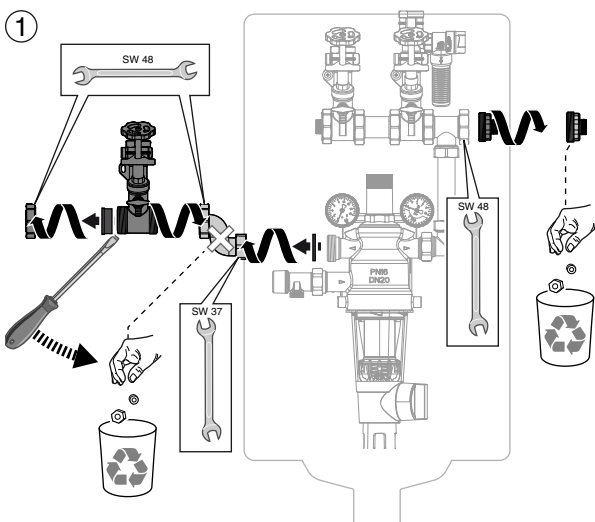


Anschluss umbauen auf Versorgung von rechts Conversion of the drinking water inlet from the left supply to right supply

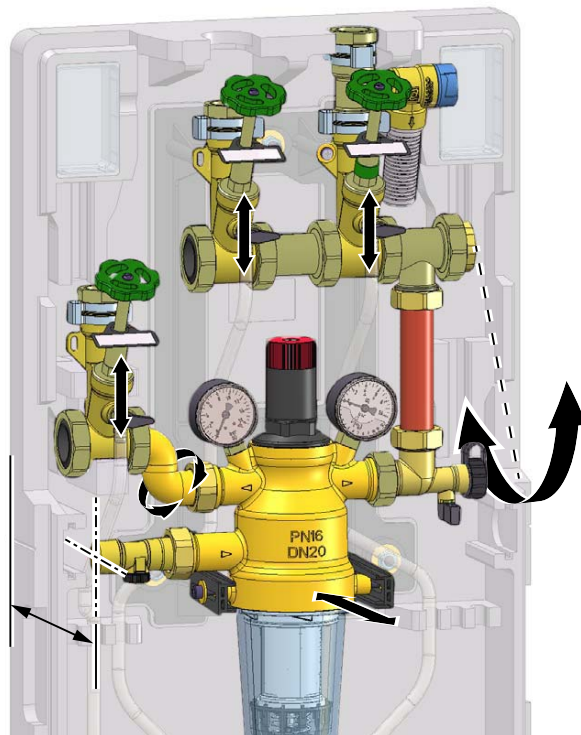
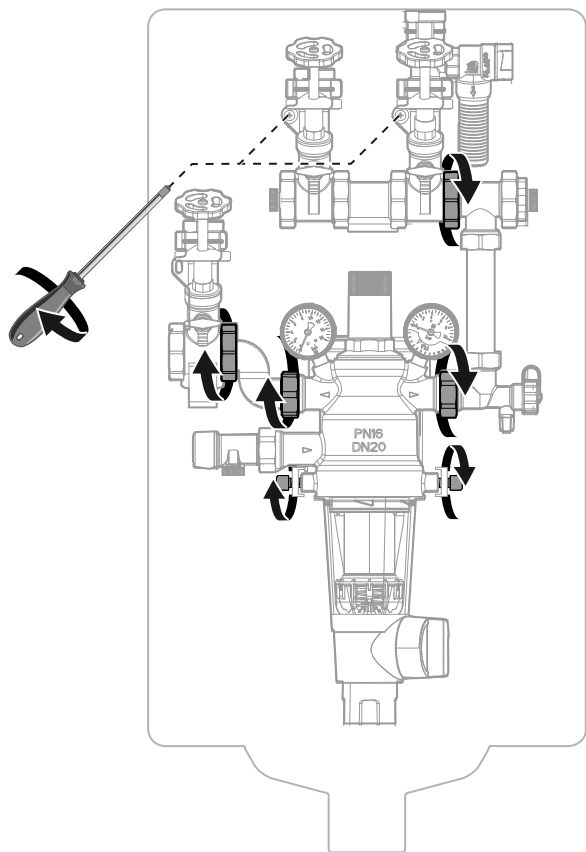




Gefilterten, ungeminderten Abgang auf druckgeminderten Versorgungsabgang umbauen
 Conversion of the filtered and non-reduced outlet to the filtered and pressure reduced outlet



Filterkombination ausrichten
Adjusting of the filter combination

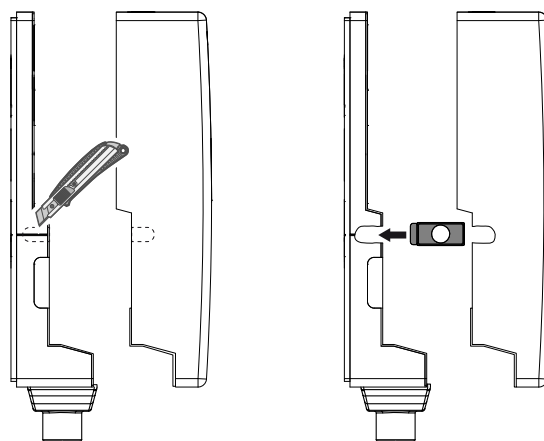
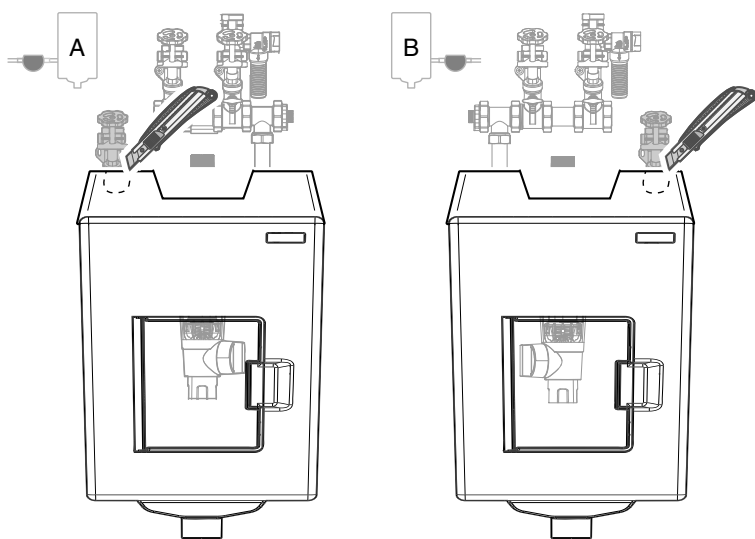


65 - 115 mm



Verbindungen nach Justage wieder anziehen.
After the adjustment all connections must be tightened

Isolation freischneiden
Cutting of the insulation shell



Automation and Control Solutions Honeywell GmbH
Hardhofweg
74821 MOSBACH
GERMANY
Phone: (49) 6261 810
Fax: (49) 6261 81309
<http://ecc.emea.honeywell.com>

Manufactured for and on behalf of the Environmental and Combustion Controls Division of Honeywell Technologies Sàrl, Z.A. La Pièce 16, 1180 Rolle, Switzerland by its Authorised Repe-sentative Honeywell GmbH

Honeywell

EN0H-1165GE23 R1012
Subject to change without notice
© 2012 Honeywell GmbH