



GRUNDFOS PRESSURE MANAGER

PM1 and PM2



Great hair shouldn't take that long

Looking for the perfect pressure solution?



BE > THINK > INNOVATE >

GRUNDFOS 



A beautiful garden shouldn't take forever

Let outstanding pressure management take control of your water supply

All-in-one Grundfos Pressure Manager is the intelligent waterworks that controls your pump according to consumption in domestic water supply and booster systems. Pressure Manager covers all needs in simple as well as complex applications.

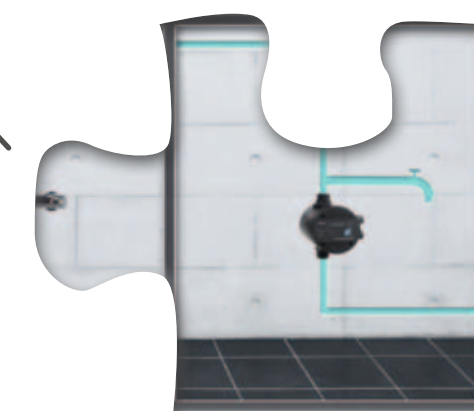
This Grundfos-developed state-of-the-art product offers our well-known quality and special touch with respect to innovative features and functionality, system integration, plug-and-pump convenience, and ease of use.

With Pressure Manager you get a choice of two superior solutions: the PM1 for Basic Flexibility and the PM2 for All-round Control. Both are designed to take the pressure off you in your daily work and delight your customers every day.

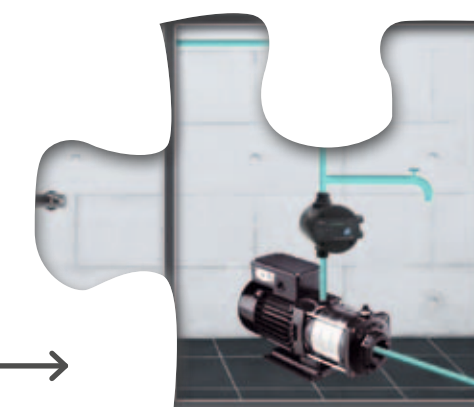
Join us for perfect pressure management!



Suction-lift



Extraction from bore hole



Boosting from mains

THE PRESSURE MANAGER AT WORK

Pressure Manager works well with Grundfos domestic water supply pumps – including other pump brands for use in home environments. It is available as a stand-alone solution for new or retrofit installations, or as part of a system solution together with a Grundfos domestic water supply pump.

Popular applications include suction-lift, extraction from bore hole and boosting from mains in single-family and two-family houses as well as flats. But other types of systems where pressure control is desirable to counteract insufficient or irregular water pressure can also find uses for the power of Pressure Manager.

Typical situations requiring pressure management:

- Insufficient mains pressure
- Water extraction from private wells
- High domestic buildings (two or more floors)
- Multiple outlets open simultaneously
- Garden watering and irrigation
- Rainwater harvesting



STATE-OF-THE-ART DESIGN AND INTEGRATION

High performance, system integration and ease of use are key concerns for Grundfos. That is why Pressure Manager not only delivers excellent pressure management but also integration of multiple functions such as dry-running protection and non-return valve.

With its compact design and user-friendly interface Pressure Manager radiates quality and sublime industrial design inside out. And it is easy to install and use, too. Simply plug-and-pump and your customers are off to great home comfort and convenience.

FREE POSITIONING IN INSTALLATION

With Pressure Manager you save both time and hassle. It can be freely positioned in the installation – vertically, horizontally, or at an angle if you are feeling creative or struggling with confined spaces or extensive existing pipework. Also, PM2's display can be turned 360 degrees so that it is instantly readable.



Pressure Manager always turns out right

Up, down or sideways – everything is possible

TWO TO DO THE JOB

The Pressure Manager range consists of two models designed to match the market's varying needs for control and comfort. PM1 and PM2 are all you need for domestic pressure management. What is more, this all-in-one solution provides great opportunities for one-stop-shopping and everything necessary for control of domestic water supply pumps.

Pressure Manager offers some unique features and benefits for you and your customers:

Well-known Grundfos quality

- State-of-the-art product design
- Robust materials and electronics

Flexibility & adaptability

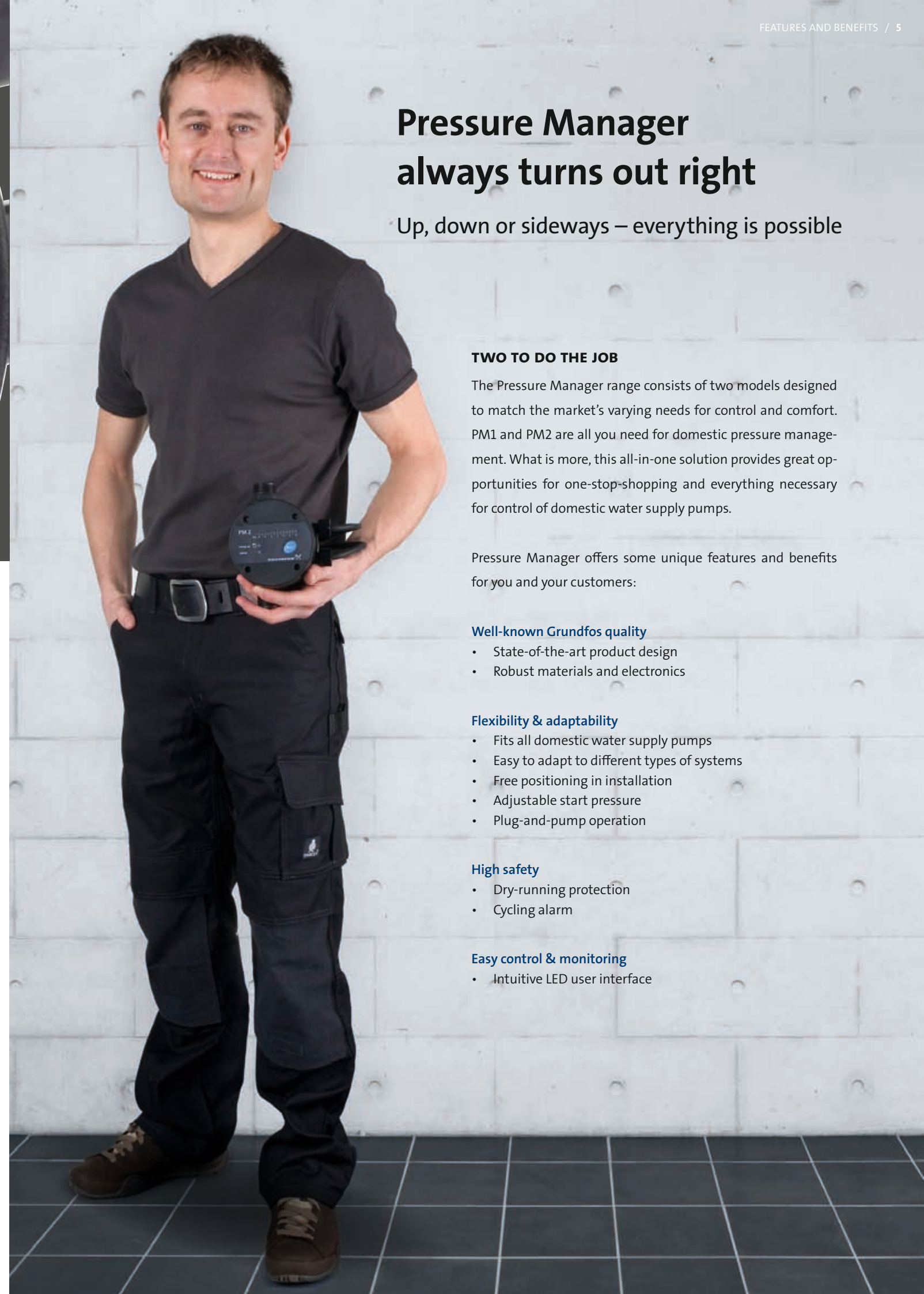
- Fits all domestic water supply pumps
- Easy to adapt to different types of systems
- Free positioning in installation
- Adjustable start pressure
- Plug-and-pump operation

High safety

- Dry-running protection
- Cycling alarm

Easy control & monitoring

- Intuitive LED user interface





PM1 – BASIC FLEXIBILITY

PM1 is suitable for applications where start/stop of the pump according to consumption is needed. It is the basic flexibility solution offering start at 1.5 or 2.2 bar. PM1 starts the pump when reaching the starting pressure and keeps running as long as there is flow.

PM1 offers dry-running protection and cycling alarm for increased safety in addition to the usual Grundfos quality, which guarantees high flexibility, robust electronics, and long life.



PM2 – ALL-ROUND CONTROL

PM2 is the all-round control solution offering adjustable start at 1.5 - 5 bar. This enables customisation to different types of installations and desired comfort level. The start pressure is set inside the unit, whereas current pressure is read on the intuitive LED display on the front of the Pressure Manager. PM2 starts the pump when reaching the starting pressure and keeps running as long as there is flow.

PM2 is equipped with an internal pressure tank to minimise starts and stops in case of leakage in the installation.

In addition, PM2 can be optimised for operation with large external pressure tank by enabling the 1 bar differential pressure functionality. This significantly reduces the number of operating hours of the pump in installations with pressure tank.

MODEL	PM 1	PM 2
Power on indication	•	•
Pump running indication	•	•
Alarm indication	•	•
Dry-running protection	•	•
Free position in installation	•	•
Suitable for generator supply	•	•
Rotary outlet connection	•	•
Integrated non-return valve	•	•
Cycling alarm	•	•
Integrated pressure sensor from Grundfos Direct Sensors™		•
Adjustable start pressure		•
Start/stop with 1 bar differential pressure		•
Auto restart after dry running		•
Maximum run time 30 min. (safety)		•
Pressure indication		•
Internal pressure tank		•

ALL THE INFORMATION YOU NEED IS ONLINE

Grundfos WebCAPS is an online product selection tool, but it offers much more than that. The site compiles all the product-related information you could ever need.

What you can find in WebCAPS

CATALOGUE – includes all products available in your region, complete with technical information, drawings, descriptions, performance curves, etc.

LITERATURE – find everything from data booklets through installation & operating instructions to product brochures.

SERVICE – the place to find service instructions (including video tutorials), service parts lists, assembly drawings, etc.

SIZING – enter your system requirements for instant recommendations. Includes Life Cycle Cost calculations.

REPLACEMENT – enter the make and model of your old pump for an instant replacement recommendation.

CAD DRAWINGS – download DXF and DWG files as required.



For offline use, WinCAPS is a CD-ROM version of WebCAPS. Contact Grundfos to order.



ALL-IN-ONE PRESSURE MANAGER

The all-in-one Pressure Manager from Grundfos is your gateway to total pressure management, and thus ultimate convenience and comfort for your customers. Just two product models: PM1 – Basic Flexibility and PM2 – All-round Control cover all needs in simple as well as complex water supply and booster applications.

It is most commonly used for suction-lift, extraction from bore hole and boosting from mains to counteract insufficient or irregular water pressure. For instance, where multiple outlets are open simultaneously, in high domestic buildings, and in connection with garden watering, irrigation, and rainwater harvesting.

The well-known Grundfos quality and system integration combined with free positioning in installation and plug-and-pump convenience are just some of the virtues that make Pressure Manager stand out from the crowd.

GRUNDFOS IS MUCH MORE

- Heating
- Cooling
- Water Supply
- Wastewater
- Fire Fighting
- Dosing
- Industrial Processes