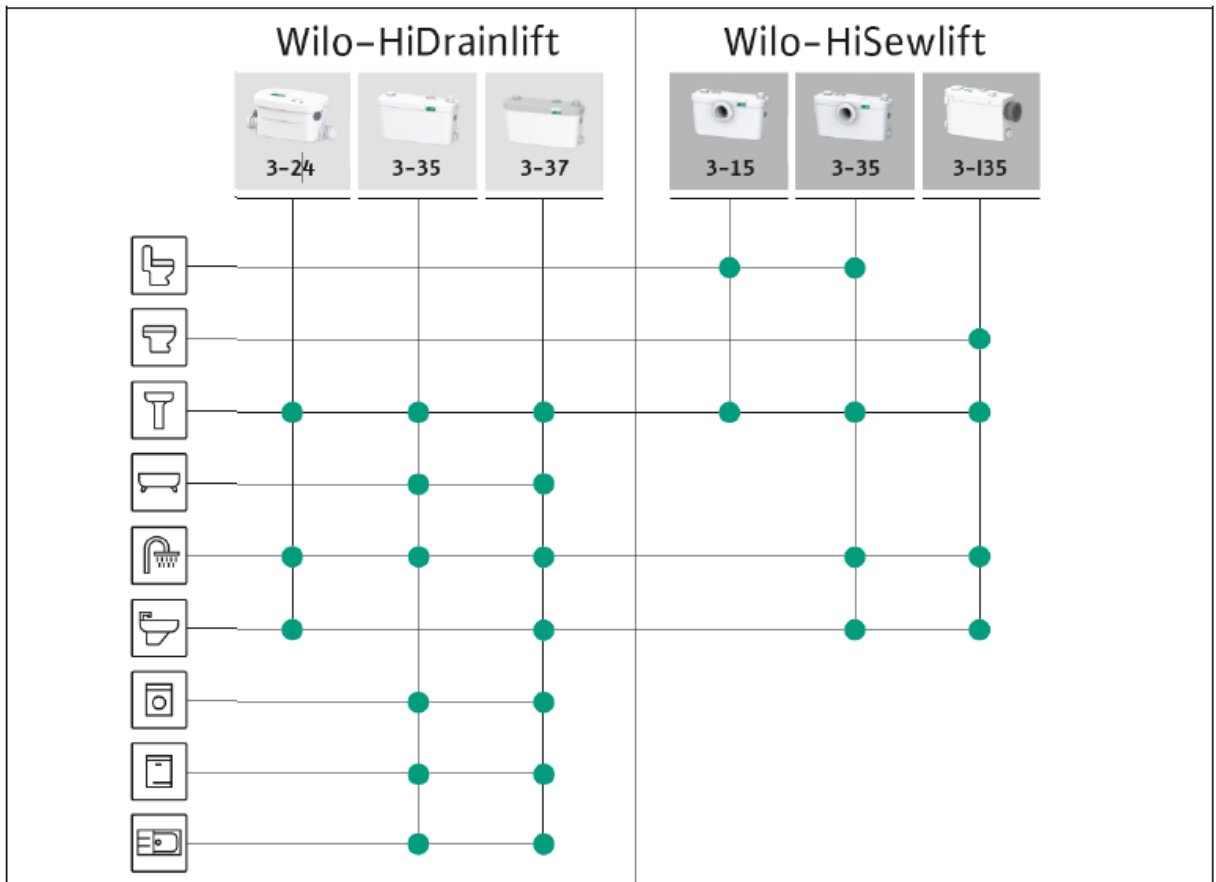


Wilo HiDrainlift 3 Wilo HiSewlift 3



Description	Article Nr.
HiDrainlift 3-24	4191678
HiDrainlift 3-35	4191679
HiDrainlift 3-37	4191680
HiSewlift 3-I35	4191674
HiSewlift 3-15	4191675
HiSewlift 3-35	4191677



Technical information:

Noise Level:

- HiDrainlift – 54 dB(A).
- HiSewlift – 55 db(A).

	WC type	Inlets	max. head (m.) *	max. flow (m ³ /h)	max fluid T °C	volume (dm ³)	Typical installation	
Hisewlift	3-15	stand alone	WC + 1	5	5	35	24	guest toilet
	3-35	stand alone	WC + 3	5	5	35	24	bathroom
	3-I35	wall-hung	WC + 3	5	6	35	17	concealed in the front-wall
Hidrainlift	3-24	n/A	2	4	4	35	9	next to / under shower tray
	3-35	n/A	3	5	6	60**	24	Kitchen / utility room
	3-37	n/A	3	7	7	75**	24	Light commercial

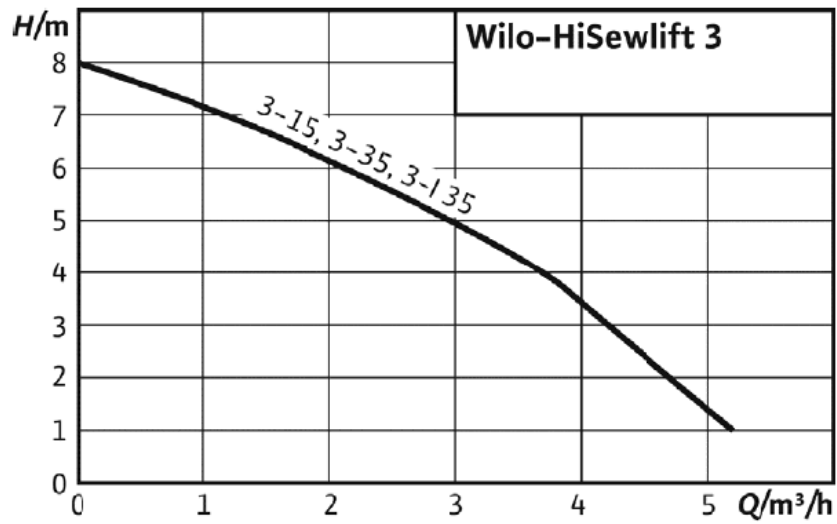
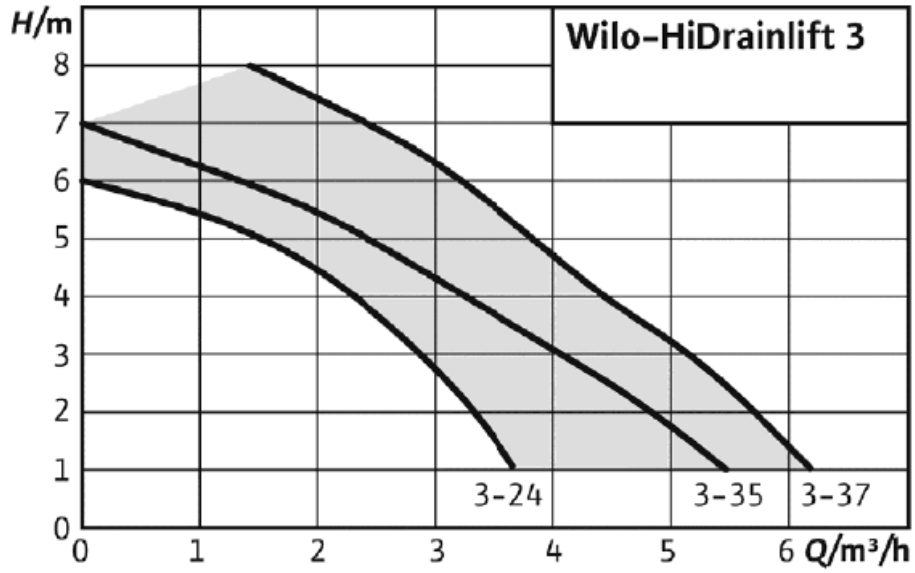
* : max. applicable head of the system according to EN 12050

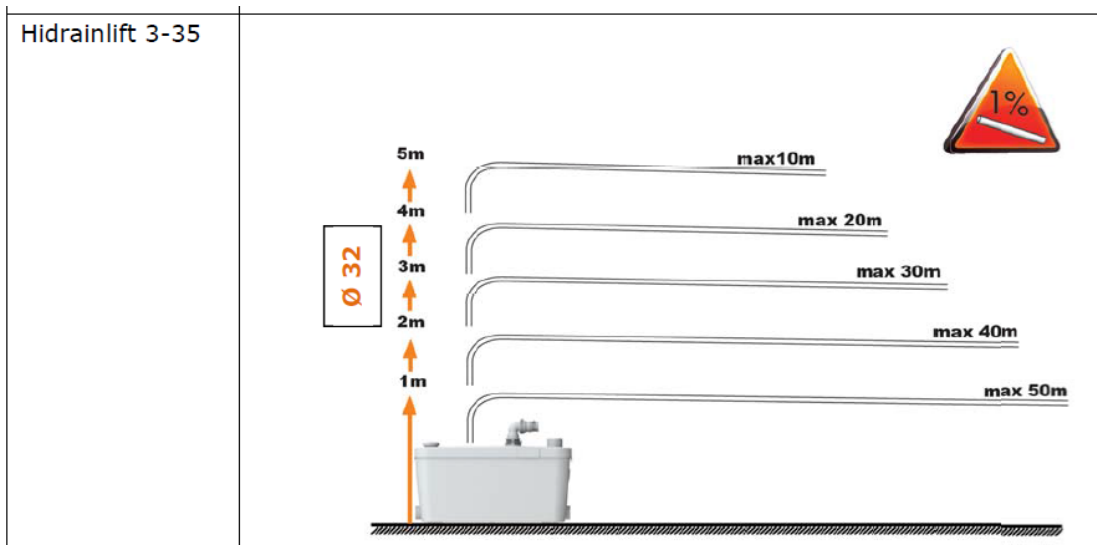
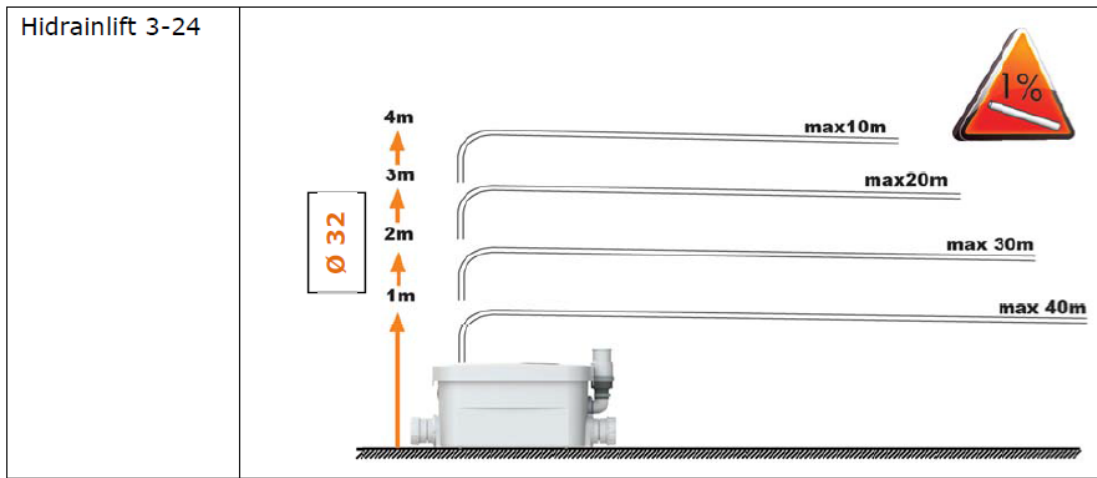
** : up to 60 resp. 75°C for 5 min max.

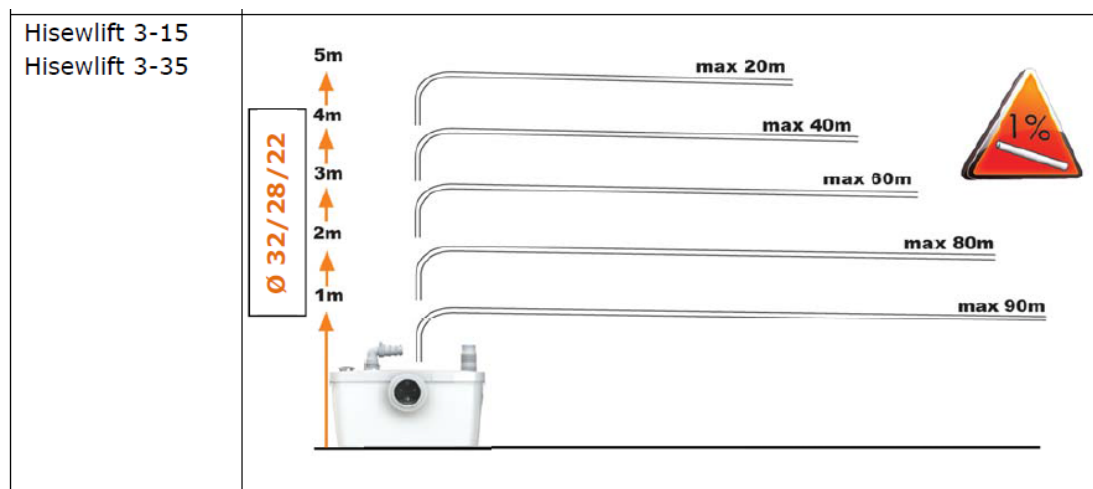
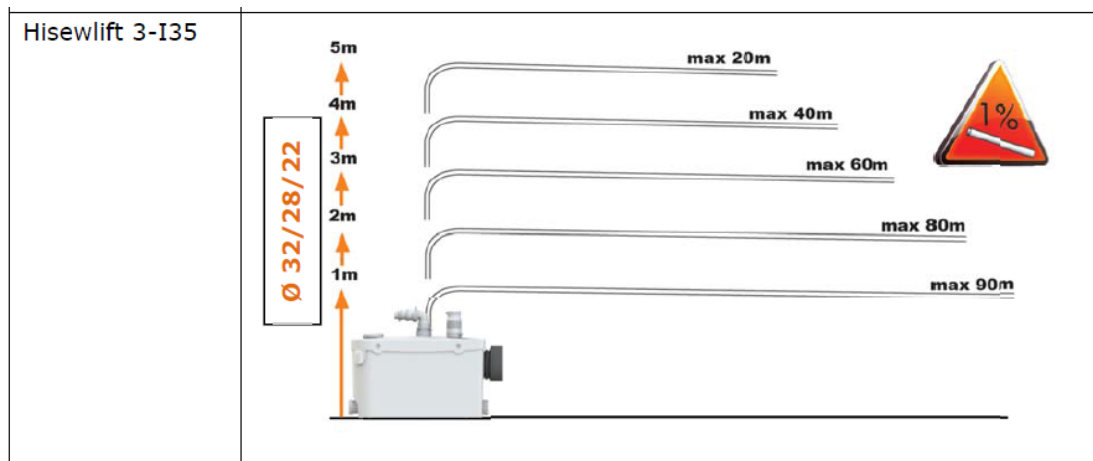
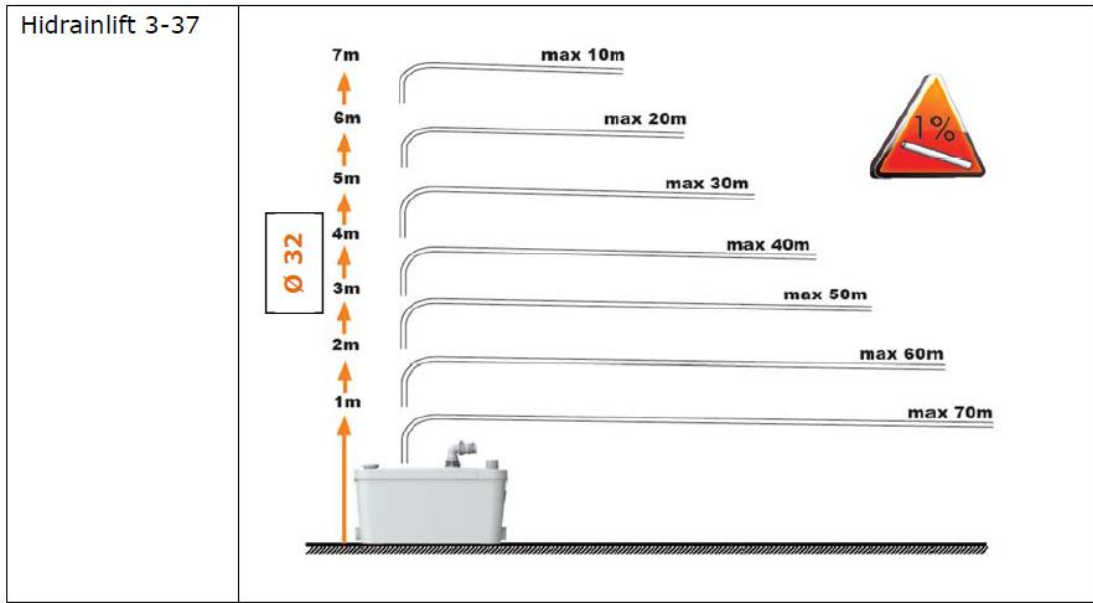
Example: Wilo HiSewlift 3-I35	
HiSewlift	Product family Sewage Water Lifting unit
3	Product grade: Efficient
I	In-Wall mounting I: can be built into a wall
3	Number of connections + Toilette (Sewage version)
5	Lift Height

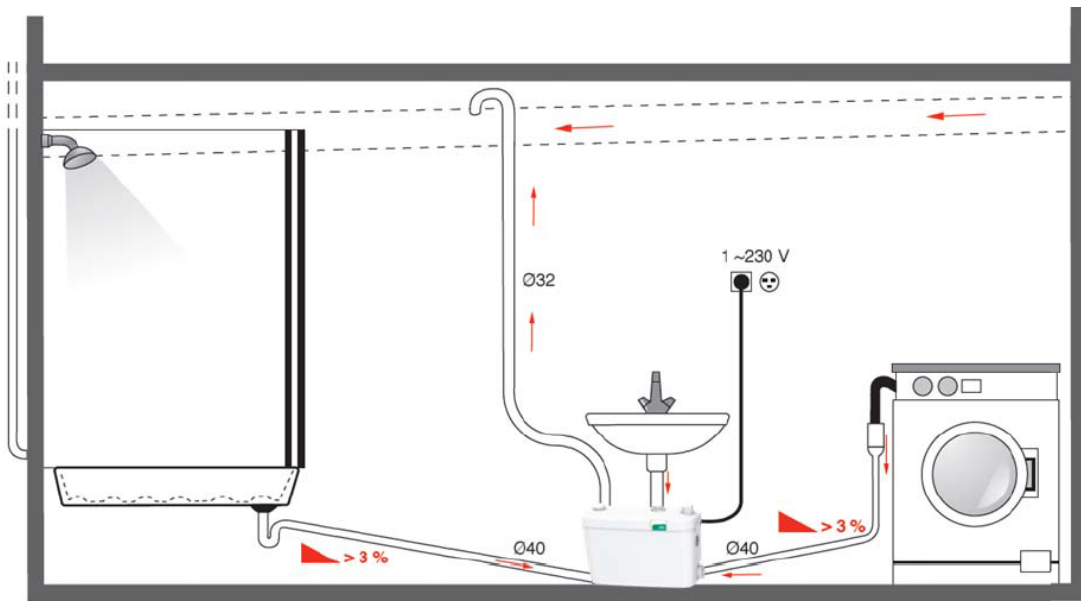
Article N°	Description	Electric supply			P2 (kW)	EAN	Weight (Kg)	Dimensions (mm)			Protection class	Insulation class
		~	V	Hz				L	D	H		
4191674	HiSewlift3-I35	1	230	50	0,4	4048482454191	5,44	512	148,5	371	IP44	F
4191675	HiSewlift3-15	1	230	50	0,4	4048482454221	5,675	511	243	347,5	IP44	F
4191677	HiSewlift3-35	1	230	50	0,4	4048482454238	5,675	511	243	347,5	IP44	F
4191678	HiDrainlift3-24	1	230	50	0,25	4048482454252	3,635	372	176,5	187,5	IP44	F
4191679	HiDrainlift3-35	1	230	50	0,4	4048482454269	5,375	511	187	347,5	IP44	F
4191680	HiDrainlift3-37	1	230	50	0,4	4048482454276	5,9	511	187	347,5	IP44	F

Hydraulic performances:









Replacement information

"old" Description	Article N°	Inlets	dm ³	New Description	Article N°	Inlet	dm ³	Flow	Head by 0,7l/s
				HiDrainlift 3-24	4191678	2	9	4	4
TMP32	2017795	3	41	HiDrainlift 3-35	4191679	3	24	6	5
TMP40/8	2522664	3	58	HiDrainlift 3-37	4191680	3	24	7	7
				HiSewlift 3-15	4191675	1 + WC	24	5	5
XS-F	2526945	2 + WC	35	HiSewlift 3-135	4191674	3 + WC	24	5	5
KH32	2011011	2 + WC	41	HiSewlift 3-35	4191677	3 + WC	17	6	5

Service information

Installation:

- Hydraulic connection:
 - Pressure port Ø 32 mm with outlet bushing loose
 - Inlet bush Ø 40
- Electrical connection:
 - ready to plug (1,5m cable + Schuko plug [except for HiDrainlift 3-24])