

V5015A FLANGED LINEAR VALVE PN6

PRODUCT DATA



GENERAL

These single seated valves are used for modulating control of hot / chilled water or steam in heating, ventilating and air conditioning systems. The valves can be operated by linear actuators ML6421B and ML7421B or by pneumatic actuators MP953.

FEATURES

- Cast iron body with flanged end connections
- Low seat leakage rate
- Metal-to-metal seating for long life span
- Self-adjusting packing
- Accurate positioning to ensure state-of-the-art temperature control
- Easy mounting of direct coupled electric and pneumatic actuators
- Constant total flow throughout full plug travel

SPECIFICATIONS

| | |
|---|--|
| Action | Stem up to close port A-AB |
| Nominal pressure rating | PN6 |
| Flow characteristic | Equal percentage port A-AB, $n_{gl} = 3.4$ linear port B-AB |
| Rangeability | 50:1 |
| Leakage rate | $\leq 0.1\%$ of k_{vs} port A-AB $\leq 1\%$ of k_{vs} port B-AB |
| Stroke | 38 mm |
| Valve body | |
| End connections | Flanged per ISO 7005-2 |
| Material | Cast iron (GG25) |
| Dimensions | See Fig. 1 |
| Trim | |
| Seat | Body integrated |
| Stem | Stainless steel |
| Plug | Stainless steel, skirt guided |
| Packing | Spring-loaded PTFE cone rings |
| Medium temperature and pressure | 2 ... 120 °C; max. 600 kPa |
| Maximum temperature differential in alternating hot/cold water use | 60 K |

SIZES AND FLOW CAPACITIES

| order number | valve size | kvs |
|--------------|------------|-----|
| V5015A1151 | DN100 | 140 |
| V5015A1169 | DN125 | 220 |
| V5015A1177 | DN150 | 310 |

INSTALLATION

- Water should meet VDI 2035 requirements.
- Do not install valve with stem below the horizontal.
- Fluid flow must correspond with the arrow direction on the valve body.
- The installation of a strainer is strongly recommended.

REPAIR PACKING KIT

Part No.: R 43 176 754 - 005

CLOSE OFF PRESSURE RATINGS in kPa

Electric Actuators

| actuator | | valve size | | |
|------------------|--------|-----------------------------|-----------------------------|-----------------------------|
| model | force | DN100 (k _{vs} 140) | DN125 (k _{vs} 220) | DN150 (k _{vs} 310) |
| ML6421B, ML7421B | 1800 N | 150 | 120 | 80 |

Pneumatic Actuators

| actuator model | actuator spring range | air pressure in actuator | closed valve seat | valve size | | |
|-----------------|------------------------|--------------------------|-------------------|------------|-------|-------|
| | | | | DN100 | DN125 | DN150 |
| MP953C; (13") | 14-48 kPa (2-7 PSI) | 0 kPa | upper | 110 | 70 | 45 |
| | | | | 150 | 150 | 150 |
| MP953A,C; (13") | 14-48 kPa (2-7 PSI) | 115 kPa | lower | 150 | 150 | 100 |
| | | | | 150 | 150 | 120 |

ACTUATORS

Electric Actuators

| actuator (1800 N) | valve size |
|--------------------|---------------|
| ML6421B ML7421B | DN100 - DN150 |

Pneumatic Actuators

| actuator | | valve size | direct acting | positioner |
|----------|------|------------------|---------------|------------|
| model | size | | | |
| MP953A | 13" | DN100 - DN150 | x | yes |
| MP953C | 13" | | x | no |

DIMENSIONS (mm)

Valve

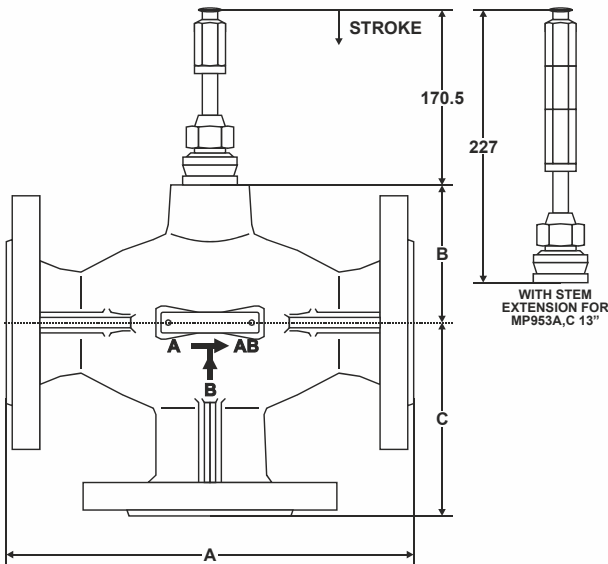


Fig. 1. V5015A, dimensions (in mm), stem up

| valve size | A | B | C |
|------------|-----|-----|-----|
| DN100 | 350 | 100 | 150 |
| DN125 | 400 | 120 | 175 |
| DN150 | 480 | 140 | 200 |

Electric Actuators

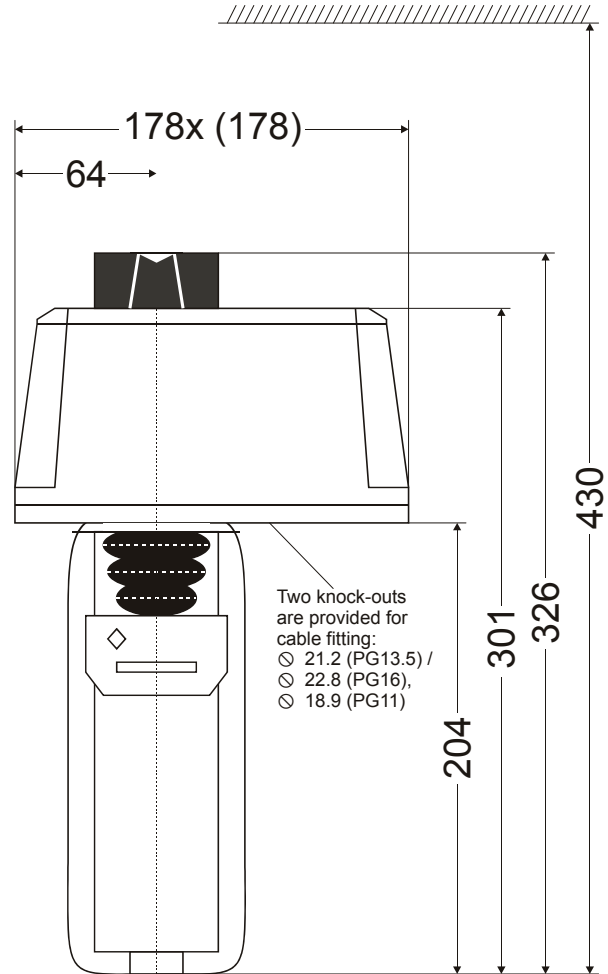


Fig. 3. ML6421B/ML7421B

Pneumatic Actuators

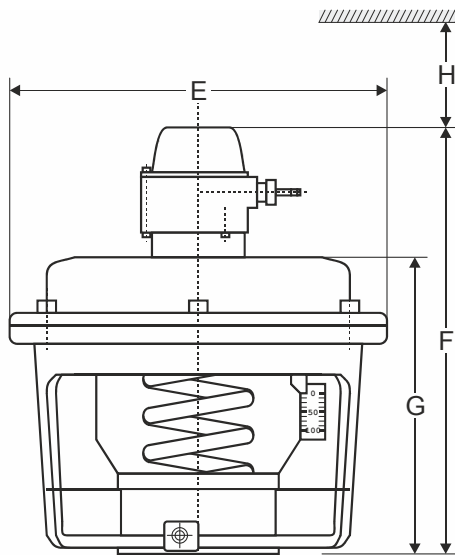


Fig. 2. MP953A,C

| model | ØE | F | G | H |
|-------------|-----|-----|-----|-----|
| MP953A; 13" | 343 | 327 | - | 200 |
| MP953C; 13" | 343 | - | 255 | 200 |

Honeywell

Manufactured for and on behalf of the Environmental & Energy Solutions Division of Honeywell Technologies Sàrl, Rolle, Z.A. La Pièce 16, Switzerland by its Authorized Representative:

Home and Building Technologies

Honeywell GmbH

Böblinger Strasse 17

71101 Schönaich / Germany

Phone: (49) 7031 63701

Fax: (49) 7031 637493

<http://ecc.emea.honeywell.com>

Subject to change without notice. Printed in Germany

EN0B-0431GE02 R0217