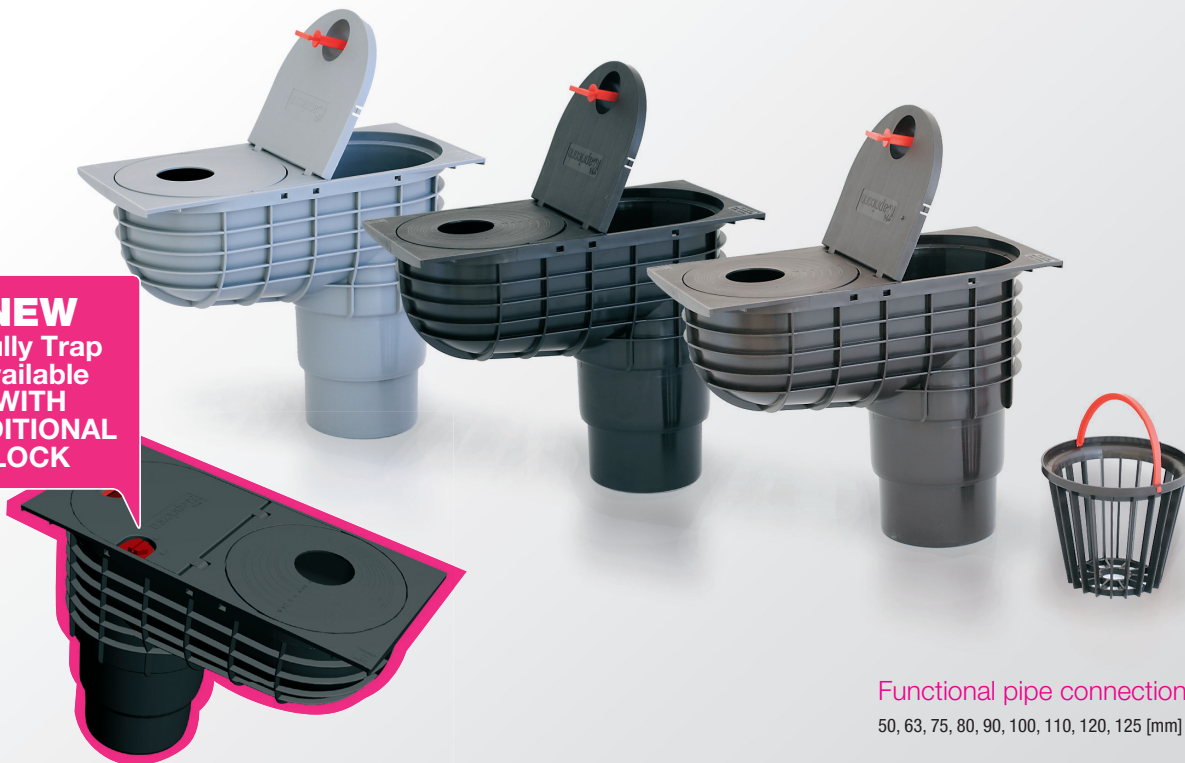




Sanitary system

# The Capricorn Gully Trap **Q3**

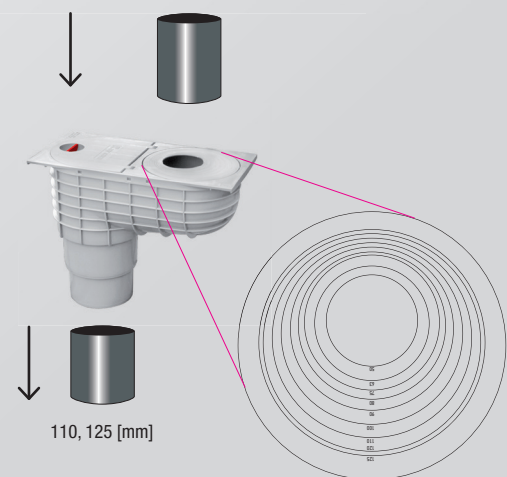
**NEW**  
Gully Trap  
available  
WITH  
ADDITIONAL  
LOCK



Functional pipe connections  
50, 63, 75, 80, 90, 100, 110, 120, 125 [mm]

**Gully trap connects rain water pipes  
with drainage system.**

The Capricorn Gully trap is equipped with  
custom-designed elements forming the **Q3** system:



110, 125 [mm]

Functional pipe connections - universal  
coupling for 9 sizes of gutter pipe.



Capricorn S.A., ul. Ciernie 11, 58-160 Świebodzice,  
Sales Department, phone +48 74 8503 554, phone +48 74 8503 546

[www.capricorn.pl](http://www.capricorn.pl)  
[sales@capricorn.pl](mailto:sales@capricorn.pl)

Resistant to difficult conditions-closing catch made of polypropylene with UV stabilizer

Eccentric coupling for gutter pipe, designed to easily cut and fit 9 pipe sizes. It is adjustable in two directions

Ribbing of its body ensures high resistance to loads occurring during and after assembly



THE CAPRICORN GULLY TRAP Q3 9-9400\* SERIES HAVE ADDITIONAL LOCK OF THE DOWNSPOUT COVER

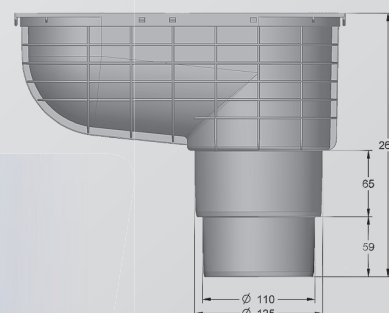
Innovative extendable handle enabling convenient opening of the cover

Automatic odour barrier, gradually draining rain water into sewage system; it is made of resistant ABS

Removable basket collecting leaves, equipped with handy holder

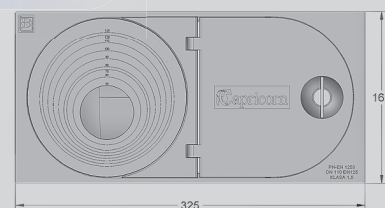
The Capricorn Gully trap is equipped with custom-designed elements forming the **Q3**:

- Innovative extendable handle enabling convenient opening of the cover.
- Removable basket collecting leaves, equipped with handy holder.
- Automatic odour barrier, gradually draining rain water into sewage system. It is made of resistant ABS.



Code Gully trap Q3

9-9300-000-00-01-03	grey
9-9300-000-00-01-07	brown
9-9300-000-00-01-10	black
9-9400-000-00-01-03	with lock - grey
9-9400-000-00-01-07	with lock - brown
9-9400-000-00-01-10	with lock - black



According to PN-EN 1253 standards  
Load Class - 1,5

PP POLYPROPYLEN UV PROTECT



Capricorn S.A., ul. Ciernie 11, 58-160 Świebodzice,  
Sales Department, phone +48 74 8503 554, phone +48 74 8503 546

[www.capricorn.pl](http://www.capricorn.pl)  
[sales@capricorn.pl](mailto:sales@capricorn.pl)