

2360 / 2361 / 2370 / 2371 / 2372 / 2380 / 2381 / 2382

**“MISTRAL” STANDARD BORE BALL VALVE
THREAD ISO 228**



2360



2361



2370



2371



2372



2380



2381



2382

DESCRIPTION

Suitable for domestic and commercial plumbing, industrial and agricultural applications, heating and sanitary systems, pneumatic systems, oils, generally with every non aggressive fluids.

PRODUCTION RANGE

Art.	Code	Connection unions	Type
2360	236 0010	1/2"	Female/female Red aluminium handle
	236 0007	3/4"	
	236 0005	1"	
	236 0008	1"1/4	
	236 0009	1"1/2	
	236 0004	2"	
2360	236 0175	1/2"	Female/female Black aluminium handle
	236 0176	3/4"	
	236 0177	1"	
	236 0184	1"1/4	
	236 0185	1"1/2	
	236 0186	2"	

Art.	Code	Connection unions	Type
2361	236 0015	1/2"	Male/female Red aluminium handle
	236 0019	3/4"	
	236 0014	1"	
	236 0023	1"1/4	
	236 0029	1"1/2	
	236 0026	2"	Male/female Black aluminium handle
	236 0178	1/2"	
	236 0179	3/4"	
	236 0180	1"	
	236 0187	1"1/4	
	236 0188	1"1/2	
	236 0189	2"	Male/female Blue aluminium handle
	236 0126	1/2"	
	236 0127	3/4"	

Art.	Code	Connection unions	Type
2370	236 0002	1/2"	Female/female Red T handle
	236 0003	3/4"	
	236 0012	1"	
	236 0035	1"1/4	Female/female Black T handle
	236 0190	1/2"	
	236 0191	3/4"	
	236 0192	1"	
	236 0193	1"1/4	Female/female Blue T handle
	236 0060	1/2"	
	236 0061	3/4"	
	236 0136	1"	
	236 0137	1"1/4	

Art.	Code	Connection unions	Type
2371	236 0001	1/2"	Male/female Red T handle
	236 0006	3/4"	
	236 0011	1"	
	236 0031	1"1/4	Male/female Black T handle
	236 0182	1/2"	
	236 0183	3/4"	
	236 0181	1"	
	236 0194	1"1/4	Male/female Blue T handle
	236 0063	1/2"	
	236 0064	3/4"	
	236 0125	1"	
	236 0138	1"1/4	

Art.	Code	Connection unions	Type
2372	236 0032	1/2"	Male/ Male Red T handle
	236 0038	3/4"	
	236 0040	1"	
	236 0048	1"1/4	
	236 0066	1/2"	Male/ Male Blue T handle
	236 0067	3/4"	
	236 0043	1"	
	236 0047	1"1/4	

Art.	Code	Connection unions	Type
2380	236 0017	1/2"	Female/female Red steel flat handle
	236 0016	3/4"	
	236 0013	1"	
	236 0021	1"1/4	
	236 0027	1"1/2	
	236 0018	2"	

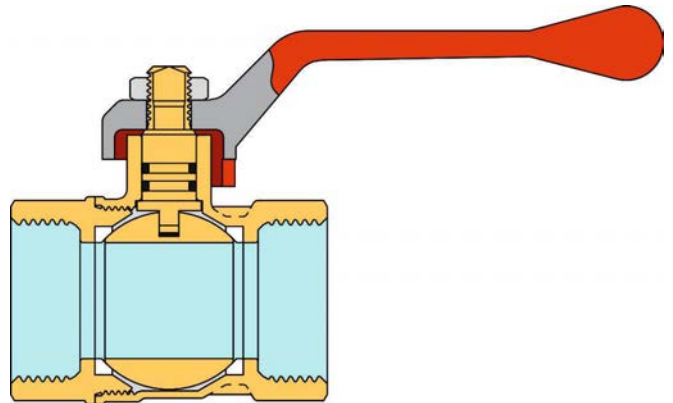
	236 0045	1/2"	Female/female Blue steel flat handle
	236 0068	3/4"	
	236 0124	1"	
	236 0128	1"1/4	
	236 0129	1"1/2	
	236 0130	2"	

Art.	Code	Connection unions	Type
2381	236 0028	1/2"	Male/female Red steel flat handle
	236 0030	3/4"	
	236 0024	1"	
	236 0034	1"1/4	
	236 0036	1"1/2	
	236 0033	2"	
	236 0123	1/2"	
	236 0131	3/4"	
	236 0132	1"	
	236 0133	1"1/4	
	236 0134	1"1/2	
	236 0135	2"	

Art.	Code	Connection unions	Type
2382	236 0039	1/2"	Male/Male Red steel flat handle
	236 0037	3/4"	
	236 0041	1"	
	236 0042	1"1/4	
	236 0087	1/2"	
	236 0088	3/4"	Male/Male Blue steel flat handle
	236 0044	1"	
	236 0046	1"1/4	

MANUFACTURING SPECIFICATIONS

- Body and Sleeve: Brass CW617N nickel finish
- Ball: Brass CW617N chrome plated
- Stem: Brass CW617N
- O-rings: NBR
- Side washers: PTFE
- Flat handle: Steel Fe 37 Zinc plated - plasticized
- Handle & Butterfly: Red/black/Blue painted aluminum
- Nut: Galvanized steel
- Threads: ISO 228



TECHNICAL SPECIFICATIONS

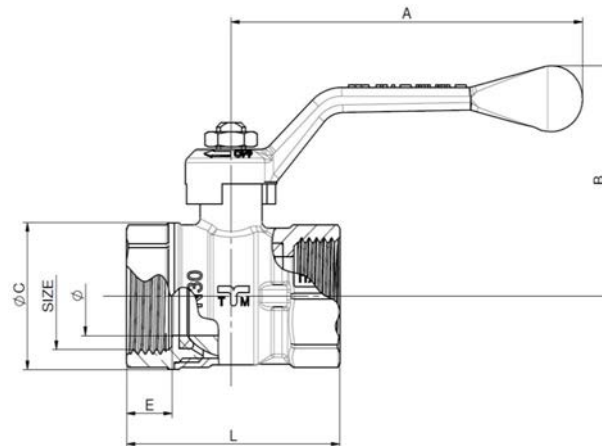
- Maximum working temperature: + 120 °C
- Min working temperature: - 20 °C (provided that the fluid remains in liquid phase)
- Maximum working pressure: See dimensional table (PN)
- Compatible fluids: Water, water and glycol solutions (maximum glycol 30%), non-corrosive fluids *

* to check compatibility with fluids or other substances not listed, contact Tiemme technical office.

DIMENSIONAL SPECIFICATIONS

2360

Dimensions in mm.

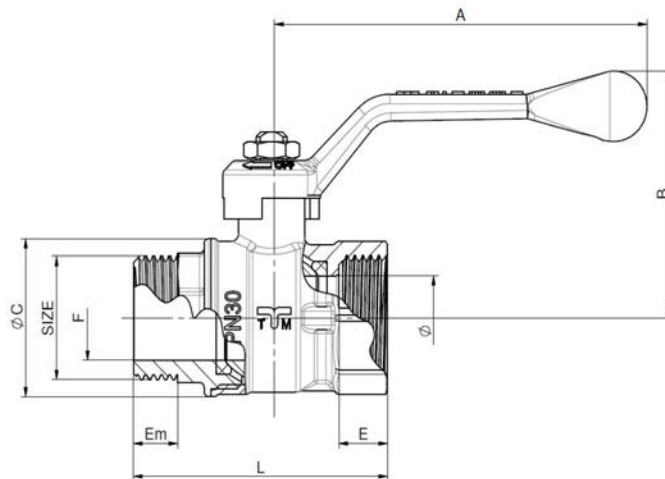


Size	½"	¾"	1"	1"1/4	1"1/2	2"
Ø (DN)	14	18	23,5	30	37,5	47
A	85	85	100	100	140	140
B	48	52,5	59,5	64,5	76	89
Ø C	27,5	33,5	42	53	64	79
E	11	11	14	15	16	17,5
L	45	52,5	64	74	85	98
PN	40	30	30	25	25	25
PN *	20	20	20	20	20	20

* pneumatic systems

2361

Dimensions in mm.

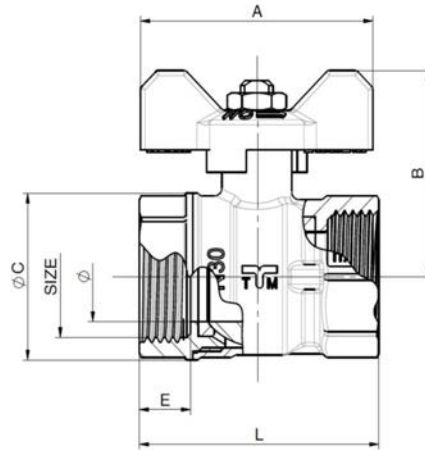


Size	½"	¾"	1"	1"1/4	1"1/2	2"
Ø (DN)	14	18	23,5	30	37,5	47
A	85	85	100	100	140	140
B	48	52,5	59,5	64,5	76	89
Ø C	27,5	33,5	42	53	64	79
E	11	11	14	15	16	17,5
Em	10	10	13	14	15	16,5
L	51,5	57,5	68,5	81	92	107
PN	40	30	30	25	25	25
PN *	20	20	20	20	20	20

* pneumatic systems

2370

Dimensions in mm.

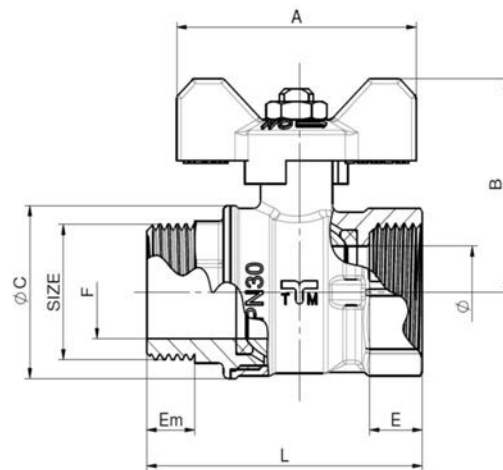


Size	½"	¾"	1"	1"1/4
Ø (DN)	14	18	23,5	30
A	50	50	65	65
B	48	52,5	59,5	64,5
Ø C	27,5	33,5	42	53
E	11	11	14	15
L	45	52,5	64	74
PN	40	30	30	25
PN *	20	20	20	20

* pneumatic systems

2371

Dimensions in mm.

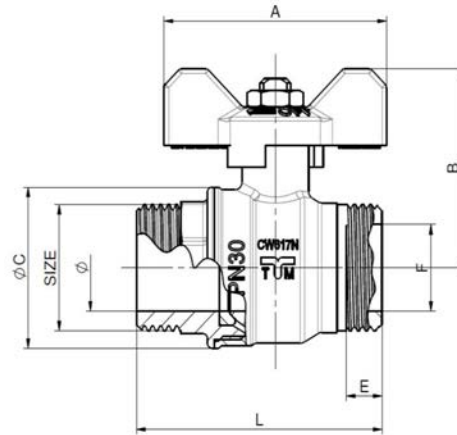


Size	½"	¾"	1"	1"1/4
Ø (DN)	14	18	23,5	30
A	50	50	65	65
B	48	52,5	59,5	64,5
Ø C	27,5	33,5	42	53
E	11	11	14	15
Em	10	10	13	14
L	51,5	57,5	68,5	81
PN	40	30	30	25
PN *	20	20	20	20

* pneumatic systems

2372

Dimensions in mm.

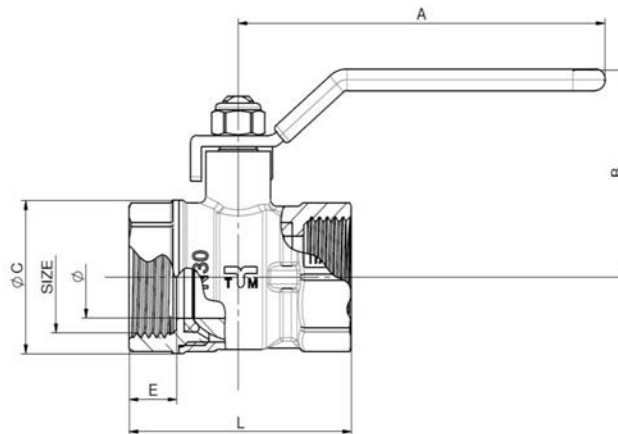


Size	½"	¾"	1"	1"1/4
Ø (DN)	14	18	23,5	30
A	50	50	65	65
B	48	52,5	59,5	64,5
Ø C	27,5	33,5	42	53
E	10	10	13	14
L	50	55,5	66,5	79
PN	40	30	30	25
PN *	20	20	20	20

* pneumatic systems

2380

Dimensions in mm.

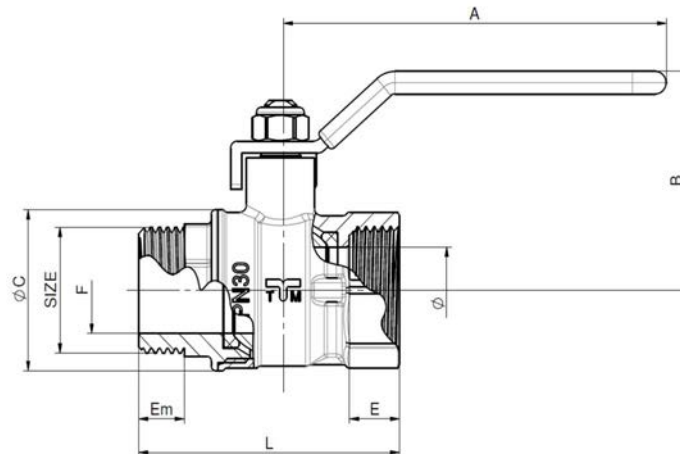


Size	½"	¾"	1"	1"1/4	1"1/2	2"
Ø (DN)	14	18	23,5	30	37,5	47
A	85	85	113	113	141	141
B	48	52,5	59,5	64,5	76	89
Ø C	27,5	33,5	42	53	64	79
E	11	11	14	15	16	17,5
L	45	52,5	64	74	85	98
PN	40	30	30	25	25	25
PN *	20	20	20	20	20	20

* pneumatic systems

2381

Dimensions in mm.

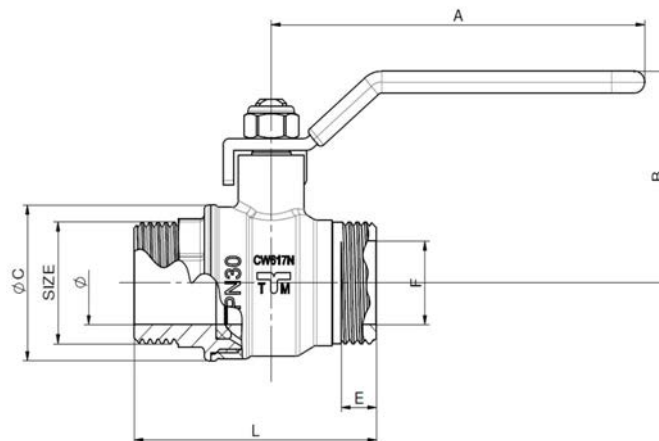


Size	½"	¾"	1"	1"1/4	1"1/2	2"
Ø (DN)	14	18	23,5	30	37,5	47
A	85	85	113	113	141	141
B	48	52,5	59,5	64,5	76	89
Ø C	27,5	33,5	42	53	64	79
E	11	11	14	15	16	17,5
Em	10	10	13	14	15	16,5
L	51,5	57,5	68,5	81	92	107
PN	40	30	30	25	25	25
PN *	20	20	20	20	20	20

* pneumatic systems

2382

Dimensions in mm.



Size	½"	¾"	1"	1"1/4
Ø (DN)	14	18	23,5	30
A	85	85	113	113
B	48	52,5	59,5	64,5
Ø C	27,5	33,5	42	53
E	10	10	13	14
L	50	55,5	66,5	79
PN	40	30	30	25
PN *	20	20	20	20

* pneumatic systems

HYDRAULIC SPECIFICATIONS

Diagram 1: Flow/pressure drop.

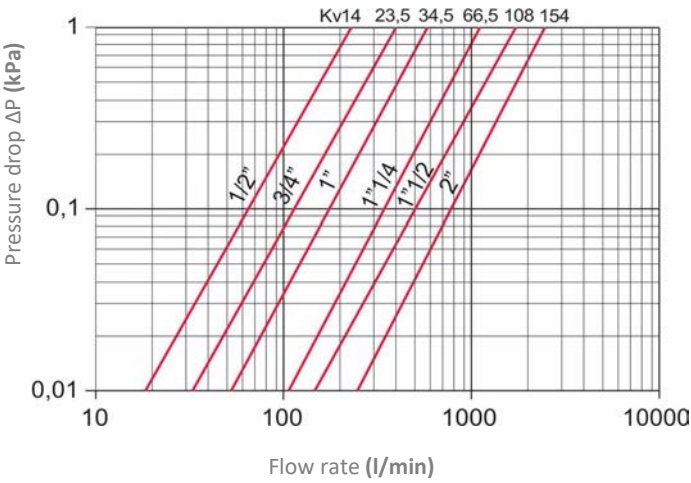
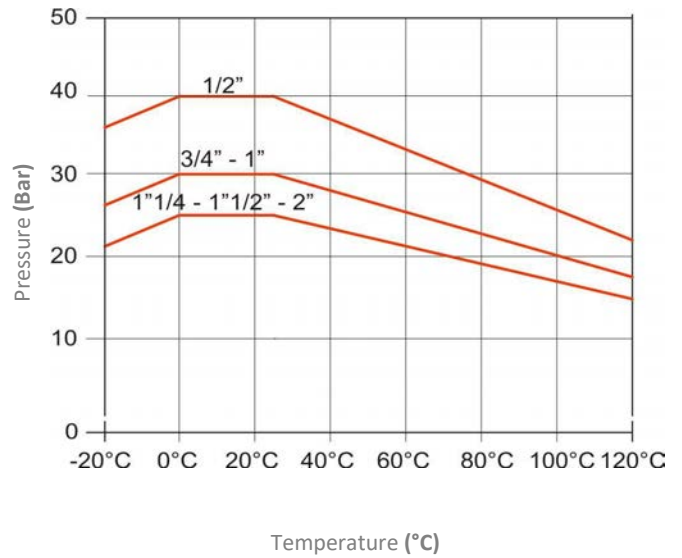


Diagram 2: Pressure/temperature.



INSTALLATION

- The valves can be installed in any position (orizental, vertical, ...) provided that shall be placed in visible and accessible position and the open/close operations shall be easily and completely done.
- Otherwise stated to close the valve the handle shall be turned clockwise, counterclockwise to open it.
- Otherwise stated by specific marks on the valve body (arrows,...) there is no valve flow direction.
- The system shall be designed and realised in order to avoid any stress that could damage the valve and could compromise the sealing and the correct working of the valve.
- All installation operations shall be done using properly tooling. The tightenings shall be such as to guarantee the sealing but without make any damage to the valve or fittings.
- Once the installation have been completed is necessary to verify the sealings according to technical specifications and/or what required by the country of installation.
- The valve should not be kept in intermediate position for a long period of time in order to avoid any damages of the valve sealings.
- If the valve have not been used for a long period of time it may be difficult to operate therefore it will be necessary to use a "long lever".
- To kept the valve and sealings in good conditions it is suggested to place a filter upstream in order to stop impurity.
- For any further information please contact the authorized dealers or directly TIEMME RACCORDERIE S.p.A.

TIEMME RACCORDERIE S.p.A. declines all responsibility in case of failures and/or accidents resulting from the non-compliance with these indications and from improper use of the system. The information given does not exempt the user from following the regulations and good technical regulations in force.

CERTIFICATIONS

